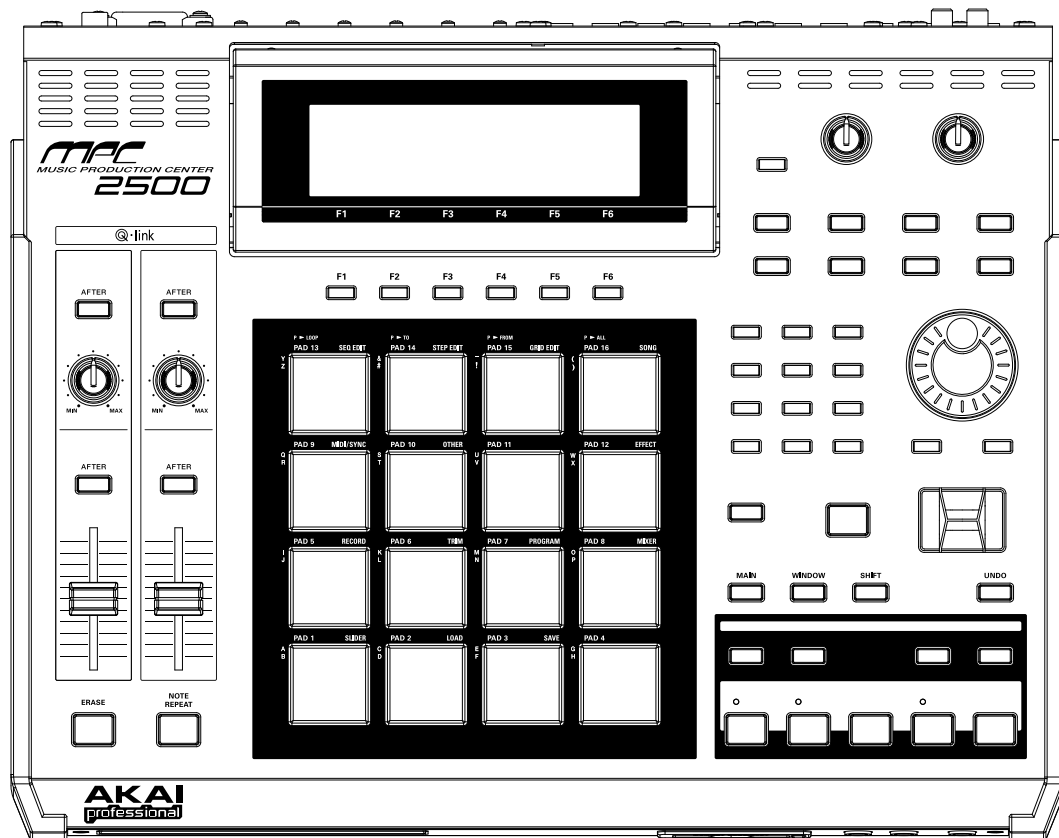


AKAI professional

SERVICE MANUAL

MPC MUSIC PRODUCTION CENTER 2500

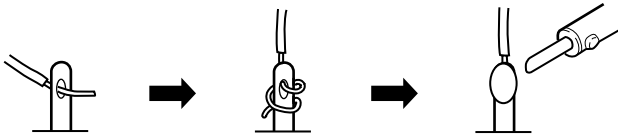


Music production Center

SAFETY INSTRUCTIONS

INFORMATIONS

1. Parts identified by the \triangle symbol are critical for safety. Replace them only with the parts number specified.
2. In addition to safety, other parts and assemblies are specified for conformance with such regulations as those applying to spurious radiation. These must also be replaced only with the specified replacements. Examples : Noise blocking capacitors, noise blocking filters, etc.
3. Use specified internal wiring. Note especially :
 - 1) Wires covered with PVC tubing
 - 2) Double insulated wires
 - 3) High voltage leads
4. Use specified insulating materials for hazardous live parts. Note especially :
 - 1) Insulation Tape
 - 2) PVC tubing
 - 3) Spacers (insulating barriers)
 - 4) Insulation sheets for transistors
 - 5) Plastic screws for fixing micro switches
5. When replacing AC primary side components (transformers, power cords, noise blocking capacitors, etc.), wrap the ends of the wires securely around the terminals before soldering.



6. Make sure that wires do not contact heat producing parts (heat sinks, oxide metal film resistors, fusible resistors, etc.).
7. Check that replaced wires do not contact sharp edged or pointed parts.
8. Also check areas surrounding repaired locations.
9. Make sure that foreign objects (screws, solder droplets, etc.) do not remain inside the set.

SAFETY CHECK AFTER SERVICING

After servicing, make measurements of leakage-current or resistance in order to determine that exposed parts are acceptably insulated from the supply circuit. The leakage-current measurement should be done between accessible metal parts (such as chassis, ground terminal, microphone jacks, signal input/output connectors, etc.) and the earth ground through a resistor of 1500 ohms paralleled with a 0.15 F capacitor, under the unit's normal working conditions. The leakage-current should be less than 0.5 mA rms AC. The resistance measurement should be done between accessible exposed metal parts and power cord plug prongs with the power switch (if included) "ON". The resistance should be more than 2.2 M ohms.

SYMBOLS FOR PRIMARY DESTINATION

Unit destinations are indicated with letters as shown below.

Symbols	Principal Destinations
A	U.S.A
B	England
E	Europe
J	Japan
V	Germany
X1	Japan
X4	Universal Area

MAKE YOUR CONTRIBUTION TO PROTECT THE ENVIRONMENT

Used batteries with the ISO symbol for recycling as well as small accumulators (rechargeable batteries), mini-batteries (cells) and starter batteries should not be thrown into the garbage can.



Please leave them at an appropriate depot.

PRECAUTIONS FOR LITHIUM BATTERY

The lithium battery may explode when incorrectly replaced. [OBSERVE THE FOLLOWING WHEN REPLACING]

- Replace with the same make and type or equivalent recommended by manufacturer.
- Place battery in correct polarity.
- Do not short the terminals.
- Do not charge battery.
- Do not dispose of battery in fire.

I. SPECIFICATIONS

General	
Display	240 x 64 dot graphic LCD w/back light
Memory card slot	Compact Flash (The size of the compact flash card the MPC2500 can handle is from 32MB to 2GB)
Dimensions (W x H x D)	415(w) x 93.5(H) x 332.9(D)mm
Weight	6.15kg
Power requirement	21W
Sound generator	
Sampling rate	44.1kHz
Memory capacity	16MB standard (11.5MB for sound memory), expandable to 128MB
Recording time	136sec. (16MB, MONO), 24m28sec. (128MB, MONO)
Memory expansion slot	1 x for optional EXM128
Data format	16-bit linear
Polyphony	32
Dynamic filtering	2 x 2-pole filter per voice
Filter type	Low pass, Band pass, High pass
Preset sound memory	5MB
Number of programs	24
Effects	
Effects	2 stereo effects and Master effect
Effect type	Chorus, Flanger, Bit grunger, 4 band EQ, Compressor, Phase shifter, Tremolo, Flying pan, Reverb, Delay Master effect: 4 band EQ, Compressor
Sequencer	
Maximum events	100,000 notes
Resolution	96 parts per 1/4-note
Sequences	99
Tracks per sequence	64
MIDI output channels	64 (16 channels x 4 outputs)
Song mode	20 songs, 250 steps per song
Drum pad	16 (velocity and pressure sensitive)
Drum pad banks	4
Sync mode	MIDI clock

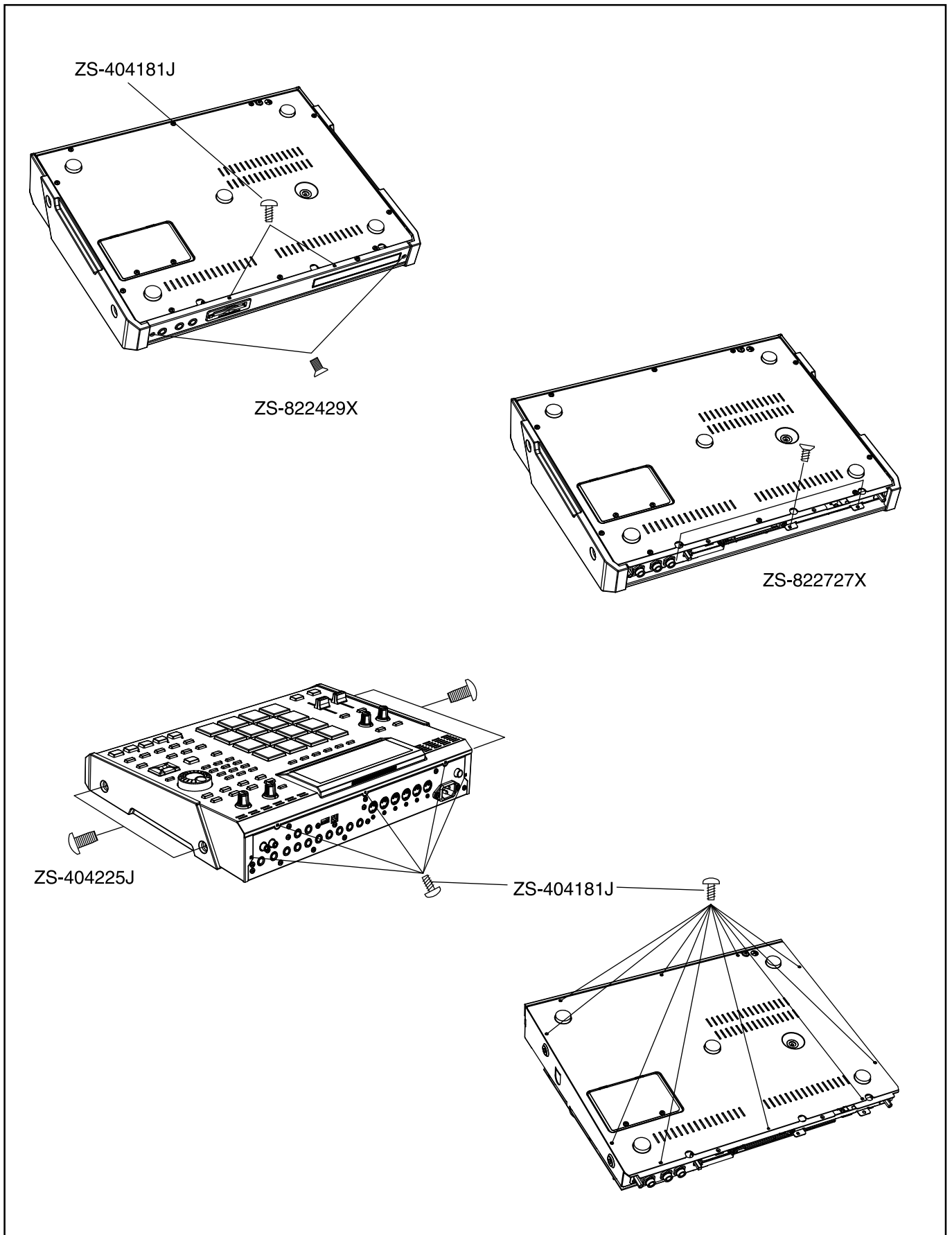
* The specifications are subject to change without the prior notice.

Inputs / Outputs	
Record input (L and R)	1/4-inch stereo phone x 2, balanced -40dBu, input impedance 11k ohms; Max. Input level +10dBu
Digital input	RCA-pin x 1 S/PDIF
Stereo output (L and R)	1/4-inch phone x 2 unbalanced +11dBu, output impedance 1k Ohms, Max. output level +22dBu
8 individual outputs	1/4-inch phone x 8 unbalanced +11dBu, output impedance 1k Ohms, Max. output level +22dBu
Phones output	1/4-inch stereo phone x 1, 200mW / 100 ohms
Digital output	RCA-pin x 1 S/PDIF
MIDI inputs	5-pin DIN x 2
MIDI outputs	5-pin DIN x 4
USB	Slave connector x 1, USB MASS STORAGE CLASS support. (You need Windows 2000/Me/XP or later version, or MacOS 9.x/10.x or later version.)
Footswitches	1/4-inch phone x 2
Standard accessories	
Standard accessories	32MB Compact Flash card, Power cable, Operator's manual
Options	
EXM128	128MB expansion memory card
CD-M25	Internal CD drive

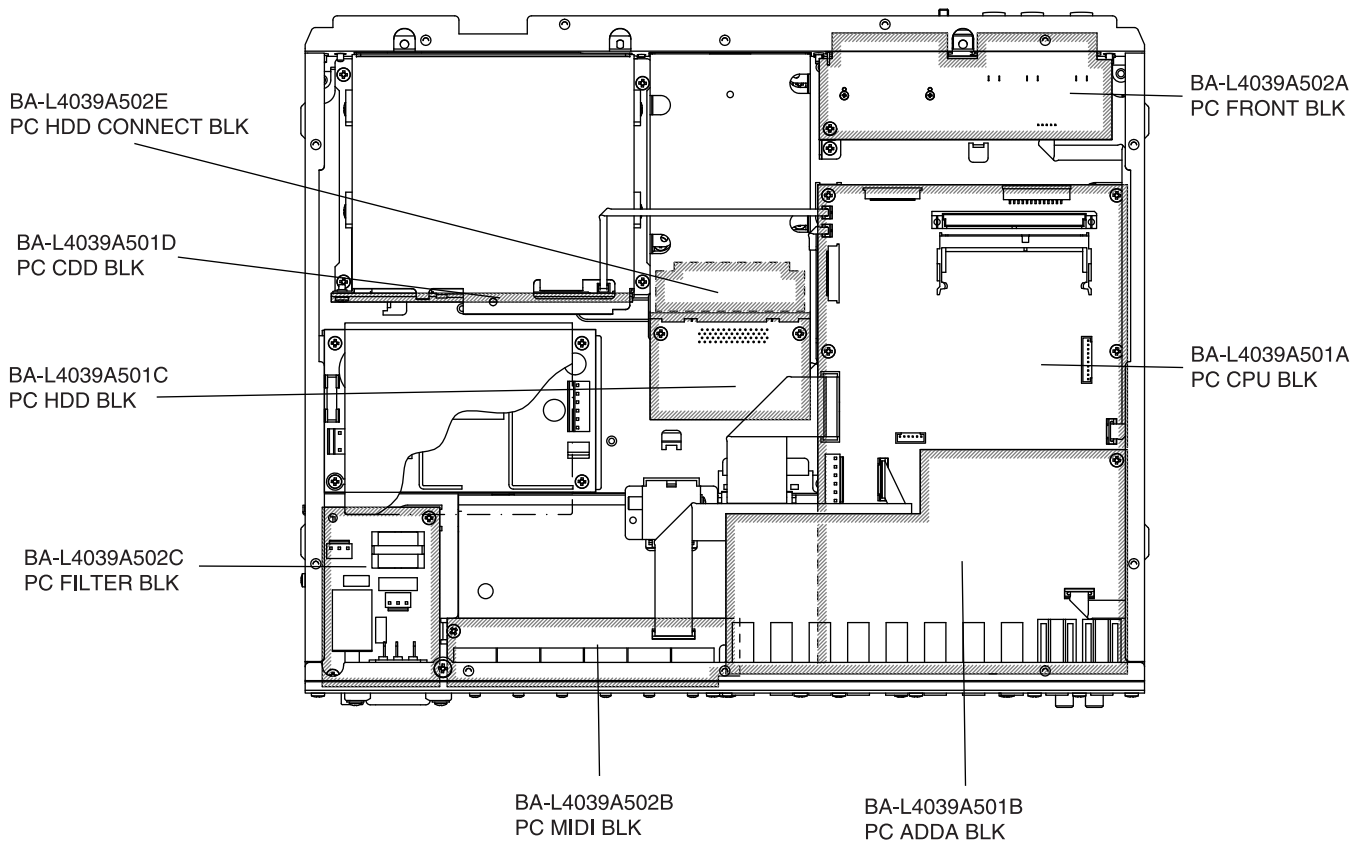
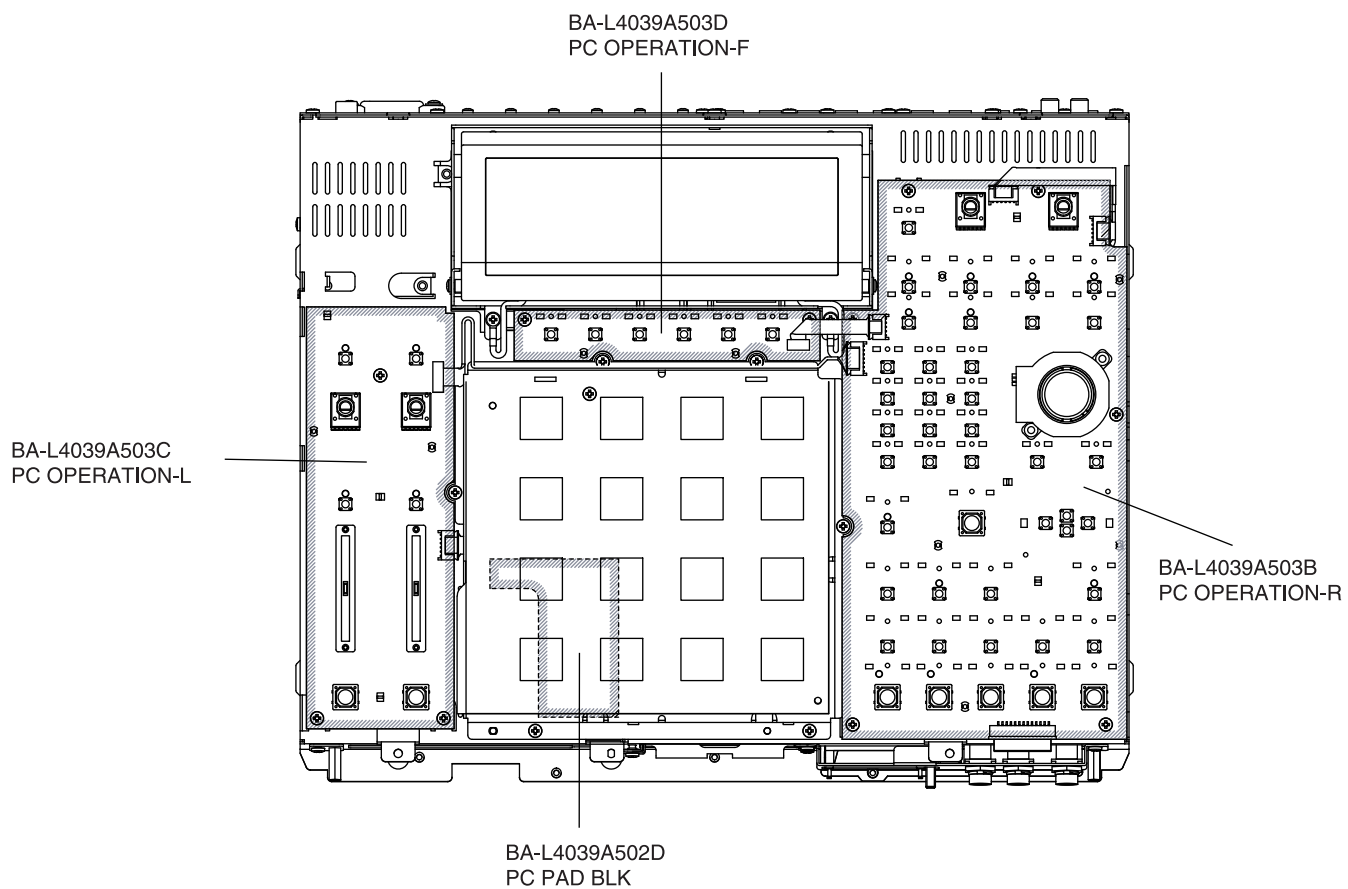
* The specifications are subject to change without the prior notice.

II. DISASSEMBLY

In case of trouble, etc., necessitating dismantling, please dismantle in the order shown in the illustrations. Reassemble in the reverse order.



III. PRINCIPAL PARTS LOCATION



IV. SUPPLEMENTARY INFORMATION

[Update procedure]

===How to copy the OS binary file to a CF card using a MPC2500 and a computer===

Below procedure will utilize the MPC2500 as a Compact flash writer.

Required Equipment:

Compact Flash (CF), Computer with USB mass storage class support (Windows XP/ME/2000 or Mac OSX, OS9.x)

1. Copy/Download the OS data to a computer's hard disc drive and extract it's data.
2. Insert a Compact Flash card into the MPC2500.
3. Turn on the power of the MPC2500.
4. Go to Load mode, then press USB (F4).
5. Connect a USB cable between the computer and the MPC2500. (Display will change from "Status=Not Connected" to "Status=Connected")
6. The CF in the MPC2500 will be mounted as a drive on the computer.
7. Copy the OS binary file to the CF in the MPC2500.
8. Disconnect the USB cable. (MPC2500 will not accept any user input while a USB cable is connected)

Note: The OS data can also be copied to a Compact Flash card using any other Compact Flash card reader/writer. In this case it is not necessary to connect the MPC2500 to a computer.

===How to update the MPC2500===

MPC2500 is updated using a Compact Flash card containing OS data.

1. Insert a CF containing OS data into the MPC2500.
2. Turn on the power of the MPC2500 while pressing down the "Window" button.
3. ====MPC2500 OS UPDATE==== File: M25V100B.BIN (version information) will be displayed on the LCD screen.
4. To start the update process, press the "F6 (DO IT)" button. After the update process is finished the MPC2500 will re-boot automatically.

Note: The MPC2500 can't be updated from a computer via USB directly – updating is only possible using a CF card.

[Test program]

Test programs on the MPC2500 can be run either using a Test OS or a JIG PC Flash Rom.

[Running the test Program using a Test OS]

A test program can be installed on the MPC2500 by updating it with a Test OS. The Test OS must be copied to a CF card from which it will be written to the Flash ROM of the MPC2500. The installation procedure is the same as for a normal OS update. For a description of the test mode functions, refer to the "MPC2500 Test Program list".

Note: Once the Test OS is installed, the unit will always start up using the Test OS, until the regular OS is re-installed.

[Running the test Program using a JIG PC Flash ROM MPC2.5K (AJ-771314J)]

The PC Flash ROM is used during repair for the testing jig and boot block recovery.

To access the test program on the PC Flash ROM MPC2.5K follow this procedure:

1. Turn off the MPC2500 and open the unit.
2. Insert the PC Flash MPC2.5K ROM into J110 on the CPU board.
3. Turn on the MPC2500 to start up the Test OS from the PC Flash ROM.

[Hidden modes]

The MPC2500 has the following hidden modes, which can be accessed by certain input sequences or holding down a key while powering on the unit.

[Owner Name]

Mode > Other > F3/FOOTSW > F6 > Enter owner name

In the startup screen, "Owner Name" will be displayed.

[Initialize parameter]

Hold down the ERASE button while powering on the unit.

[Demo mode]

Hold down the Bank "D" button while powering on the unit.

In this mode "Internal memory" on the Save page can not be selected. In the startup screen "Demo" will be displayed instead of "MPC2500". Once demo mode has been activated it will remain active even if power is turned off and on again. To turn off the Demo mode, hold down the Bank "D" button while powering on the unit.

MPC2500 Test Program

Starting Display	F1	PANEL	F1	KEY TEST	Q-LINK AND JOG TEST	F1 VELO/PEEK F5 RESET F6 EXIT	By Pressing Keys correspond button boxes change to negative.(Press F6 twice: EXIT) Q-Link, Jog input value displayed Each Pad Input Velocity/Peek value displayed. Reset Value
	F2		F2			F6 EXIT	All dot of LCD change to Black. Contrast adjusting by JOG Contrast adjusting by SHIFT+JOG All LEDs light
	F3		F3	SDRAM TEST	SDRAM	F1 SIMPL F2 FULL F4 --- F5 --- F6 EXIT	SDRAM simple check SDRAM all area READ/WRITE check
	F4		F4	CF CARD TEST	CF	F1 SIMPL F2 DETEC F3 BACUP F4 ERASE F5 EXIT	CF card simple check Type of CF card display For development Delete CF card data
	F5		F5	HDD TEST	HDD	F1 SIMPL F2 DETEC F3 BACUP F4 ERASE F5 EXIT	HDD simple check Type of HDD displayed For development Delete HDD data/HDD
	F6		F6	CDD TEST	CDD	F1 SIMPL F2 DETEC F6 EXIT	No function Type of CD drive displayed
	F1	PANEL TEST	F1	FLASH WRITING		F1 P_OS F2 USB F3 LIBC F4 LIBH F6 EXIT	Write Test OS to Flash ROM USB TEST No function No function
	F2		F2	A/D selected			A/D In => Out Main,12,34,56,78 DIGITAL In => Out Main,12,34,56,78 FULL bit signal output to all OUTPUT.
	F3	AUDIO TEST	F3	A/D selected			
	F4	MIDI TEST	F4	SPDIF selected			
	F5	FOOT SW TEST	F5	TEST TONE			
F6		F6					
F1		F1	MIDI OUTA > MIDI IN 1 -- OK (Connect MIDI cable OUT to IN, Each connection result displayed)				Start Loop back Test, MIDI OUT A/B/C/D -> MIDI IN 1/2
F2		F2	F.SW1 : ON F.SW2 : OFF (Foot SW status displayed)				

V. PARTS LIST

ATTENTION

1. When placing an order for parts, be sure to list the Part No., Model No. and the description of each part. Otherwise, the non-delivery of the part or the delivery of a wrong part may result.
2. Please make sure that Part No. is correct when ordering. If not, a part different from the one you ordered may be delivered.
3. Since the parts shown in Parts List or Preliminary Service Manual may have been the subject of changes, please use this Parts List for all future reference.

HOW TO USE THIS PARTS LIST

1. This Parts List lists those parts which are considered necessary for repairs.
2. Parts not shown in the Parts List will not in principle be supplied.
3. How to read the Parts List.

1. PC MAIN BOARD BLK

Ref. No.	Part No.	Description
D5	ED-431276C	D SCHOT 1S30-J T05
D110	ED-431276C	D SCHOT 1S30-J T05
⋮		
⋮		
IC5	EI-811073J	ICTRC-6593
<u>IC10</u>	<u>EI-811068J</u>	IC HD74HC157FP

↑ Service parts classification

↑ These reference symbols correspond with component symbols in the Schematic Diagrams.

2. FINAL ASSEMBLY BLK

Ref. No.	Part No.	Description
1.	SA-349332	FOOT
2.	ZS-344754C	ST PAN30x06STL CMT
⋮		
⋮		
44.	SP-417333J	COVER TOP
45.	ZS-418385J	BT BID30X06STL BNI EATRH LOCK
46-A	△ EW-380905J	AC CORD 250S KP300 KS16A H B J [J]
46-B	△ EW-368420J1	AC CORD 200SKP30KS B AC [A]
<u>46-C</u>	△ EW-410608J	AC CORD 250 KP4819D KS31A B E [E,V]

↑ Symbols for primary destination
[A] U.S.A. [J] Japan
[B] England [V] Germany
[E] Europe [x1] Japan
[X4] Universal Area

↑ Safety critical component

↑ This number corresponds with the individual parts index number in the figure.

WARNING

* INDICATES SAFETY CRITICAL COMPONENTS. FOR CONTINUED SAFETY, REPLACE SAFETY CRITICAL COMPONENTS ONLY WITH MANUFACTURER'S RECOMMENDED PARTS.

AVERTISSEMENT

* IL INDIQUE LES COMPOSANTS CRITIQUES DE SÉCURITÉ. POUR MAINTENIR LE DEGRÉ DE SÉCURITÉ DE L'APPAREIL, NE REMPLACER QUE DES PIÈCES RECOMMANDÉES PAR LE FABRICANT.

1. PC BOARD BLK

Ref. No.	Part No.	Description
1	BA - L4039A020A	PC(#)/MAIN BLK MPC2500
2	BA - L4039A030A	PC(#)/MULTI BLK MPC2500
3	BA - L4039A040A	PC(#)/OPERATION BLK MPC2500

PC(#)/MAIN BLK CONSISTS OF FOLLOWING P.C. BOARDS

1	BA - L4039A501A	PC CPU BLK
2	BA - L4039A501B	PC ADDA BLK
3	BA - L4039A501C	PC HDD BLK
4	BA - L4039A501D	PC CDD BLK

PC(#)/MULTI BLK CONSISTS OF FOLLOWING P.C. BOARDS

1	BA - L4039A502A	PC FRONT BLK
2	BA - L4039A502B	PC MIDI BLK
3	BA - L4039A502C	PC FILTER BLK
4	BA - L4039A502D	PC PAD BLK
5	BA - L4039A502E	PC HDD CONNECT BLK

PC(#)/OPERATION BLK CONSISTS OF FOLLOWING P.C. BOARDS

1	BA - L4039A503B	PC OPERATION-R
2	BA - L4039A503C	PC OPERATION-L
3	BA - L4039A503D	PC OPERATION-F

2. PC CPU BLK

Ref. No.	Part No.	Description
D901	ED - 821790X	D SCHOT. RK44 40/3.0A
D902	ED - 821790X	D SCHOT. RK44 40/3.0A
IC901	EI - 821826X	IC LM2575S-ADJ
IC902	EI - 821826X	IC LM2575S-ADJ
J1	EJ - 821236X	SOCKET CONNECTER YKF45-0020 4P USB
J2	EJ - 822660X	PIN J YKC21-4141N P2P RCA Pin
J5	EJ - 821000X	PHONE J YKB26-5264 S.NUT 6.3 Stereo Out
J6	EJ - 821000X	PHONE J YKB26-5264 S.NUT 6.3 Stereo Out
J102	EJ - 822395X	SOCKET 26FMZ-ST 26P
J110	EJ - 419246J	SOCKET 128A-050S2A-S14A 50P
L901	EO - 821758X	COIL FIX 1 PE-52627
L902	EO - 821758X	COIL FIX 1 PE-52627
L903	EO - 822347X	COIL FIX 1 SL0912UW55 220K
L904	EO - 822347X	COIL FIX 1 SL0912UW55 220K
L905	EO - 822347X	COIL FIX 1 SL0912UW55 220K
P101	EJ - 810880J	PLUG 128A-032P2C-S14A 32P
P105	EJ - 822394X	PLUG SCP24GS3 24P
R913	△ ER - 822729X	R FUSE H F10 RF 1/4W 6R8J
R914	△ ER - 822729X	R FUSE H F10 RF 1/4W 6R8J
R915	ER - 822646X	R CB H T26 CF 1/6W 751J
D1	ED - 428998J	D SILICON C.1SS355TE-17 T08E
D2	ED - 428998J	D SILICON C.1SS355TE-17 T08E
D3	ED - 812338J	D ZENER C.UDZ4.7BTE-17 T08E
D4	ED - 812338J	D ZENER C.UDZ4.7BTE-17 T08E
D5	ED - 812338J	D ZENER C.UDZ4.7BTE-17 T08E
D6	ED - 812338J	D ZENER C.UDZ4.7BTE-17 T08E
D7	ED - 812338J	D ZENER C.UDZ4.7BTE-17 T08E
D8	ED - 812338J	D ZENER C.UDZ4.7BTE-17 T08E
D903	ED - 812354J	D ZENER C.RB081L-20 TE25T12E
D904	ED - 812338J	D ZENER C.UDZ4.7BTE-17 T08E
IB1	ER - 822707X	COMP R C.CRA03 330J T08
IB2	ER - 822707X	COMP R C.CRA03 330J T08
IB3	ER - 822707X	COMP R C.CRA03 330J T08
IB4	ER - 822707X	COMP R C.CRA03 330J T08
IB5	ER - 822707X	COMP R C.CRA03 330J T08
IB6	ER - 822707X	COMP R C.CRA03 330J T08
IB7	ER - 822707X	COMP R C.CRA03 330J T08
IB8	ER - 822707X	COMP R C.CRA03 330J T08
IC1	EI - 822387X	IC HD6417727F160C QFTY
IC2	EI - 822384X	IC AM29LV641DL90REI
IC3	EI - 821834X	IC HY57V641620HGT-H
IC4	EI - 821834X	IC HY57V641620HGT-H
IC5	EI - 812979J	IC HD74LVC245ATELL FPELT16E
IC6	EI - 812979J	IC HD74LVC245ATELL FPELT16E
IC7	EI - 812979J	IC HD74LVC245ATELL FPELT16E
IC8	EI - 812979J	IC HD74LVC245ATELL FPELT16E
IC9	EI - 812979J	IC HD74LVC245ATELL FPELT16E
IC10	EI - 812979J	IC HD74LVC245ATELL FPELT16E
IC11	EI - 820795X	IC HD74LVC14TELL FPELT12E
IC12	EI - 822382X	IC 74HCT541D
IC13	EI - 822389X	IC SN74LVCC3245ADWR
IC14	EI - 821827X	IC NJU7002M FPT1T08
IC15	EI - 821836X	IC SI9706DY
IC16	EI - 821831X	IC DS1811R-10
IC17	EI - 822385X	IC CD74AC153M96
IC19	EI - 822381X	IC LM431ACM3
IC20	EI - 822390X	IC XC2S15-5VQ100C
IC21	EI - 821406X	IC AIC1117CE FP T16E

IC101	EI - 812479J	IC NJM5532M	FPT1T32P
IC102	EI - 812479J	IC NJM5532M	FPT1T32P
IC103	EI - 812479J	IC NJM5532M	FPT1T32P
IC104	EI - 822388X	IC PCM1793DBR	
J3	EJ - 821781X	SOCKET DMM3-RS144A2B-13 144P	
J103	EJ - 822373X	SOCKET BL112-42RL 42P	
J104	EJ - 822373X	SOCKET BL112-42RL 42P	
PH1	ET - 821874X	DETECTOR HCPL-0701	
PH2	ET - 821874X	DETECTOR HCPL-0701	
SF1	△ EF - 810572J	FUSE C.ICP-S2.3 50V 2.3A T08E	
SF2	△ EF - 810572J	FUSE C.ICP-S2.3 50V 2.3A T08E	
TR1	ET - 821788X	TR FET CHIP 2SK3065T100 T12E	
TR2	ET - 821788X	TR FET CHIP 2SK3065T100 T12E	
TR3	ET - 821788X	TR FET CHIP 2SK3065T100 T12E	
TR4	ET - 821788X	TR FET CHIP 2SK3065T100 T12E	
TR5	ET - 821788X	TR FET CHIP 2SK3065T100 T12E	
TR6	ET - 821789X	TR CHIP DTB113ZKT146 T08E	
TR7	ET - 821789X	TR CHIP DTB113ZKT146 T08E	
TR8	ET - 821789X	TR CHIP DTB113ZKT146 T08E	
TR9	ET - 821789X	TR CHIP DTB113ZKT146 T08E	
TR10	ET - 821789X	TR CHIP DTB113ZKT146 T08E	
TR101	ET - 810831J	TR.CHIP 2SC3326 A,B TE85LT08E	
TR102	ET - 810831J	TR.CHIP 2SC3326 A,B TE85LT08E	
TR103	ET - 810831J	TR.CHIP 2SC3326 A,B TE85LT08E	
TR104	ET - 810831J	TR.CHIP 2SC3326 A,B TE85LT08E	
TR105	ET - 810831J	TR.CHIP 2SC3326 A,B TE85LT08E	
TR106	ET - 810831J	TR.CHIP 2SC3326 A,B TE85LT08E	
TR901	ET - 428249J	TR C.2SC2412K R,S T146T08E	
TR902	ET - 429898J	TR C.DTA114EKA T146T08E	
TR903	ET - 430868J	TR C.DTC114EKA T146T08E	
TR904	ET - 428249J	TR C.2SC2412K R,S T146T08E	
TR905	ET - 428248J	TR C.2SA1037AK R,S T146T08E	
X1	EI - 822642X	OSC X'TAL C.FCO736B 13.330MHZ	
X2	EI - 822643X	OSC X'TAL C.FCO736B 48.0000MHZ	

3. PC ADDA BLK

Ref. No.	Part No.	Description
J101	EJ - 810886J	SOCKET 128A-032S2A-S14A 32P
J201	EJ - 821273X	PHONE J YKB26-5326 S.NUT 6.3 Rec in
J202	EJ - 821273X	PHONE J YKB26-5326 S.NUT 6.3 Rec in
J301	EJ - 821000X	PHONE J YKB26-5264 S.NUT 6.3 Para out
J302	EJ - 821000X	PHONE J YKB26-5264 S.NUT 6.3 Para out
J303	EJ - 821000X	PHONE J YKB26-5264 S.NUT 6.3 Para out
J304	EJ - 821000X	PHONE J YKB26-5264 S.NUT 6.3 Para out
J305	EJ - 821000X	PHONE J YKB26-5264 S.NUT 6.3 Para out
J306	EJ - 821000X	PHONE J YKB26-5264 S.NUT 6.3 Para out
J307	EJ - 821000X	PHONE J YKB26-5264 S.NUT 6.3 Para out
J308	EJ - 821000X	PHONE J YKB26-5264 S.NUT 6.3 Para out
IC201	EI - 812479J	IC NJM5532M
IC202	EI - 812479J	IC NJM5532M
IC203	EI - 812479J	IC NJM5532M
IC204	EI - 812479J	IC NJM5532M
IC301	EI - 812479J	IC NJM5532M
IC302	EI - 812479J	IC NJM5532M
IC303	EI - 812479J	IC NJM5532M
IC304	EI - 812479J	IC NJM5532M
IC305	EI - 812479J	IC NJM5532M
IC306	EI - 812479J	IC NJM5532M
IC307	EI - 812479J	IC NJM5532M
IC308	EI - 812479J	IC NJM5532M
IC401	EI - 812479J	IC NJM5532M
IC402	EI - 812479J	IC NJM5532M
IC403	EI - 812479J	IC NJM5532M
IC404	EI - 812479J	IC NJM5532M
IC601	EI - 822212X	IC AD1837AS QFTY
IC602	EI - 821830X	IC CS8427-CS FP
IC603	EI - 822731X	IC 74HCU04DT FPELT16E
T1	BT - 810651J	TRANS PULSE CIT0705S-35101TFF
TR501	ET - 810831J	TR.CHIP 2SC3326 A,B TE85LT08E
TR502	ET - 810831J	TR.CHIP 2SC3326 A,B TE85LT08E
TR503	ET - 810831J	TR.CHIP 2SC3326 A,B TE85LT08E
TR504	ET - 810831J	TR.CHIP 2SC3326 A,B TE85LT08E
TR505	ET - 810831J	TR.CHIP 2SC3326 A,B TE85LT08E
TR506	ET - 810831J	TR.CHIP 2SC3326 A,B TE85LT08E
TR507	ET - 810831J	TR.CHIP 2SC3326 A,B TE85LT08E
TR508	ET - 810831J	TR.CHIP 2SC3326 A,B TE85LT08E
TR509	ET - 810831J	TR.CHIP 2SC3326 A,B TE85LT08E
TR510	ET - 810831J	TR.CHIP 2SC3326 A,B TE85LT08E
TR511	ET - 810831J	TR.CHIP 2SC3326 A,B TE85LT08E
TR512	ET - 810831J	TR.CHIP 2SC3326 A,B TE85LT08E
TR513	ET - 810831J	TR.CHIP 2SC3326 A,B TE85LT08E
TR514	ET - 810831J	TR.CHIP 2SC3326 A,B TE85LT08E

TR515 ET - 810831J
 TR516 ET - 810831J
 X601 EI - 822641X

4. PC HDD BLK

Ref. No.	Part No.	Description
P812	EJ - 821777X	PLUG DHB-PA50-R131N 50P
J104	EJ - 822373X	SOCKET BL112-42RL 42P
J108	EJ - 822373X	SOCKET BL112-42RL 42P

5. PC CDD BLK

Ref. No.	Part No.	Description
J108	EJ - 822373X	SOCKET BL112-42RL 42P
P813	EJ - 822376X	SOCKET KX14-50K5D 50P

6. PC FRONT BLK

Ref. No.	Part No.	Description
IC801	EI - 812705J	IC NJM4556AL
J801	EJ - 821386X	PHONE J YKB22-5264 NUT 6.3
J802	EJ - 821386X	PHONE J YKB22-5264 NUT 6.3
J803	EJ - 821386X	PHONE J YKB22-5264 NUT 6.3
R807	△ ER - 822728X	R OMF H F12 FS MOF 1W 101J
R808	△ ER - 822728X	R OMF H F12 FS MOF 1W 101J
J103	EJ - 822373X	SOCKET BL112-42RL 42P
J804	EJ - 822374X	SOCKET CFHD-19-0034 50P

7. PC MIDI BLK

Ref. No.	Part No.	Description
J805	EJ - 427801J	DIN J TCS5084-45-4151 5P
J806	EJ - 427801J	DIN J TCS5084-45-4151 5P
J807	EJ - 427801J	DIN J TCS5084-45-4151 5P
J808	EJ - 427801J	DIN J TCS5084-45-4151 5P
J809	EJ - 427801J	DIN J TCS5084-45-4151 5P
J810	EJ - 427801J	DIN J TCS5084-45-4151 5P

8. PC FILTER BLK

Ref. No.	Part No.	Description
L951	△ EO - 822706X	COIL LF ET24-562U-EH4
SW901	△ ES - 812750J	SW PUSH SDKEC 02-1 Power SW

9. PC PAD BLK

Ref. No.	Part No.	Description
J811	EJ - 821080X	SOCKET 5229-20APB 20P
D850	ED - 428998J	D SILICON C.1SS355TE-17 T08E
D851	ED - 428998J	D SILICON C.1SS355TE-17 T08E
D852	ED - 428998J	D SILICON C.1SS355TE-17 T08E
D853	ED - 428998J	D SILICON C.1SS355TE-17 T08E
D854	ED - 428998J	D SILICON C.1SS355TE-17 T08E
D855	ED - 428998J	D SILICON C.1SS355TE-17 T08E
D856	ED - 428998J	D SILICON C.1SS355TE-17 T08E
D857	ED - 428998J	D SILICON C.1SS355TE-17 T08E
D858	ED - 428998J	D SILICON C.1SS355TE-17 T08E
D859	ED - 428998J	D SILICON C.1SS355TE-17 T08E
D860	ED - 428998J	D SILICON C.1SS355TE-17 T08E
D861	ED - 428998J	D SILICON C.1SS355TE-17 T08E
D862	ED - 428998J	D SILICON C.1SS355TE-17 T08E
D863	ED - 428998J	D SILICON C.1SS355TE-17 T08E
D864	ED - 428998J	D SILICON C.1SS355TE-17 T08E
D865	ED - 428998J	D SILICON C.1SS355TE-17 T08E
D866	ED - 428998J	D SILICON C.1SS355TE-17 T08E
D867	ED - 428998J	D SILICON C.1SS355TE-17 T08E
D868	ED - 428998J	D SILICON C.1SS355TE-17 T08E
D869	ED - 428998J	D SILICON C.1SS355TE-17 T08E
D870	ED - 822380X	D SCHOT. C. RB751V-40 T08E
D871	ED - 822380X	D SCHOT. C. RB751V-40 T08E
D872	ED - 822380X	D SCHOT. C. RB751V-40 T08E
D873	ED - 822380X	D SCHOT. C. RB751V-40 T08E
IC850	EI - 820659X	IC NJM2082M FPTE1T16E
IC851	EI - 820659X	IC NJM2082M FPTE1T16E
IC852	EI - 822386X	IC CD74HCT04M96
IC853	EI - 821829X	IC CD74HCT4051M96

10. PC HDD CONNECT BLK

Ref. No.	Part No.	Description
J812	EJ - 821780X	SOCKET DHB-RA50-R131N 50P
J814	EJ - 822375X	SOCKET PTRZ-50R1-B-R1 50P

11. PC OPERATION-R BLK

Ref. No.	Part No.	Description
D756	ED - 812087J	D LED L-934SRD-G RED
D757	ED - 812087J	D LED L-934SRD-G RED
D758	ED - 812086J	D LED L-934SGD GREEN

TR.CHIP 2SC3326 A,B TE85LT08E
 TR.CHIP 2SC3326 A,B TE85LT08E
 OSC X'TAL C.FCO736B 11.2896MHZ

D759	ED - 822378X	D LED L-169XQWC-C WHITE
D760	ED - 822379X	D LED L-169XSURDK RED
D761	ED - 822379X	D LED L-169XSURDK RED
D762	ED - 822379X	D LED L-169XSURDK RED
D763	ED - 822379X	D LED L-169XSURDK RED
D764	ED - 822379X	D LED L-169XSURDK RED
D765	ED - 822379X	D LED L-169XSURDK RED
D766	ED - 822379X	D LED L-169XSURDK RED
D767	ED - 822379X	D LED L-169XSURDK RED
J102	EJ - 822395X	SOCKET 26FMZ-ST 26P
SW701	ES - 415015J	SW TACT SKQEAD
SW702	ES - 415015J	SW TACT SKQEAD
SW703	ES - 415015J	SW TACT SKQEAD
SW704	ES - 415015J	SW TACT SKQEAD
SW705	ES - 415015J	SW TACT SKQEAD
SW706	ES - 349474	SW TACT SKHHAM004A
SW707	ES - 349474	SW TACT SKHHAM004A
SW708	ES - 349474	SW TACT SKHHAM004A
SW709	ES - 349474	SW TACT SKHHAM004A
SW710	ES - 349474	SW TACT SKHHAM004A
SW711	ES - 349474	SW TACT SKHHAM004A
SW712	ES - 349474	SW TACT SKHHAM004A
SW713	ES - 349474	SW TACT SKHHAM004A
SW714	ES - 349474	SW TACT SKHHAM004A
SW715	ES - 349474	SW TACT SKHHAM004A
SW716	ES - 349474	SW TACT SKHHAM004A
SW717	ES - 415015J	SW TACT SKQEAD
SW718	ES - 349474	SW TACT SKHHAM004A
SW719	ES - 349474	SW TACT SKHHAM004A
SW720	ES - 349474	SW TACT SKHHAM004A
SW721	ES - 349474	SW TACT SKHHAM004A
SW722	ES - 349474	SW TACT SKHHAM004A
SW723	ES - 349474	SW TACT SKHHAM004A
SW724	ES - 349474	SW TACT SKHHAM004A
SW725	ES - 349474	SW TACT SKHHAM004A
SW726	ES - 349474	SW TACT SKHHAM004A
SW727	ES - 349474	SW TACT SKHHAM004A
SW728	ES - 349474	SW TACT SKHHAM004A
SW729	ES - 349474	SW TACT SKHHAM004A
SW730	ES - 349474	SW TACT SKHHAM004A
SW731	ES - 349474	SW TACT SKHHAM004A
SW732	ES - 349474	SW TACT SKHHAM004A
SW733	ES - 349474	SW TACT SKHHAM004A
SW734	ES - 349474	SW TACT SKHHAM004A
SW735	ES - 349474	SW TACT SKHHAM004A
SW736	ES - 349474	SW TACT SKHHAM004A
SW737	ES - 349474	SW TACT SKHHAM004A
SW738	ES - 349474	SW TACT SKHHAM004A
SW739	ES - 349474	SW TACT SKHHAM004A
SW740	ES - 349474	SW TACT SKHHAM004A
SW741	ES - 349474	SW TACT SKHHAM004A
SW742	ES - 349474	SW TACT SKHHAM004A
SW743	ES - 349474	SW TACT SKHHAM004A
SW756	ES - 822352X	SW R.ENCORDER SRGPSJ0500
VR701	EV - 822422X	VR ROTARY RD14K12D L20 C203X2
VR702	EV - 822377X	VR ROTARY RD14K12D L20 3B103X2
D701	ED - 811455J	D SILICON H 1SS133T-77 T26
D702	ED - 811455J	D SILICON H 1SS133T-77 T26
D703	ED - 811455J	D SILICON H 1SS133T-77 T26
D704	ED - 811455J	D SILICON H 1SS133T-77 T26
D705	ED - 811455J	D SILICON H 1SS133T-77 T26
D706	ED - 811455J	D SILICON H 1SS133T-77 T26
D707	ED - 811455J	D SILICON H 1SS133T-77 T26
D708	ED - 811455J	D SILICON H 1SS133T-77 T26
D709	ED - 811455J	D SILICON H 1SS133T-77 T26
D710	ED - 811455J	D SILICON H 1SS133T-77 T26
D711	ED - 811455J	D SILICON H 1SS133T-77 T26
D712	ED - 811455J	D SILICON H 1SS133T-77 T26
D713	ED - 811455J	D SILICON H 1SS133T-77 T26
D714	ED - 811455J	D SILICON H 1SS133T-77 T26
D715	ED - 811455J	D SILICON H 1SS133T-77 T26
D716	ED - 811455J	D SILICON H 1SS133T-77 T26
D717	ED - 811455J	D SILICON H 1SS133T-77 T26
D718	ED - 811455J	D SILICON H 1SS133T-77 T26
D719	ED - 811455J	D SILICON H 1SS133T-77 T26
D720	ED - 811455J	D SILICON H 1SS133T-77 T26
D721	ED - 811455J	D SILICON H 1SS133T-77 T26
D722	ED - 811455J	D SILICON H 1SS133T-77 T26
D723	ED - 811455J	D SILICON H 1SS133T-77 T26
D724	ED - 811455J	D SILICON H 1SS133T-77 T26
D725	ED - 811455J	D SILICON H 1SS133T-77 T26
D726	ED - 811455J	D SILICON H 1SS133T-77 T26

D727	ED - 811455J	D SILICON H 1SS133T-77 T26
D728	ED - 811455J	D SILICON H 1SS133T-77 T26
D729	ED - 811455J	D SILICON H 1SS133T-77 T26
D730	ED - 811455J	D SILICON H 1SS133T-77 T26
D731	ED - 811455J	D SILICON H 1SS133T-77 T26
D732	ED - 811455J	D SILICON H 1SS133T-77 T26
D733	ED - 811455J	D SILICON H 1SS133T-77 T26
D734	ED - 811455J	D SILICON H 1SS133T-77 T26
D735	ED - 811455J	D SILICON H 1SS133T-77 T26
D736	ED - 811455J	D SILICON H 1SS133T-77 T26
D737	ED - 811455J	D SILICON H 1SS133T-77 T26
D738	ED - 811455J	D SILICON H 1SS133T-77 T26
D739	ED - 811455J	D SILICON H 1SS133T-77 T26
D740	ED - 811455J	D SILICON H 1SS133T-77 T26
D741	ED - 811455J	D SILICON H 1SS133T-77 T26
D742	ED - 811455J	D SILICON H 1SS133T-77 T26
D743	ED - 811455J	D SILICON H 1SS133T-77 T26
	MH - 322581X	PC SUPPORT MCBS-5P

12. PC OPERATION-L

Ref. No.	Part No.	Description
D768	ED - 822379X	D LED L-169XSURDK RED
D769	ED - 822379X	D LED L-169XSURDK RED
D770	ED - 822379X	D LED L-169XSURDK RED
D771	ED - 822379X	D LED L-169XSURDK RED
P703	EJ - 822715X	PLUG JM24181-R6 WHT 6P
SW744	ES - 415015J	SW TACT SKQEAD
SW745	ES - 415015J	SW TACT SKQEAD
SW746	ES - 349474	SW TACT SKHHAM004A
SW747	ES - 349474	SW TACT SKHHAM004A
SW748	ES - 349474	SW TACT SKHHAM004A
SW749	ES - 349474	SW TACT SKHHAM004A
VR703	EV - 822423X	VR SLIDE RF45112P6 L15 B103X2
VR704	EV - 822423X	VR SLIDE RF45112P6 L15 B103X2
VR705	EV - 822377X	VR ROTARY RD14K12D L20 3B103X2
VR706	EV - 822377X	VR ROTARY RD14K12D L20 3B103X2
D744	ED - 811455J	D SILICON H 1SS133T-77 T26
D745	ED - 811455J	D SILICON H 1SS133T-77 T26
D746	ED - 811455J	D SILICON H 1SS133T-77 T26
D747	ED - 811455J	D SILICON H 1SS133T-77 T26
D748	ED - 811455J	D SILICON H 1SS133T-77 T26
D749	ED - 811455J	D SILICON H 1SS133T-77 T26
	MH - 322581X	PC SUPPORT MCBS-5P

13. PC OPERATION-F

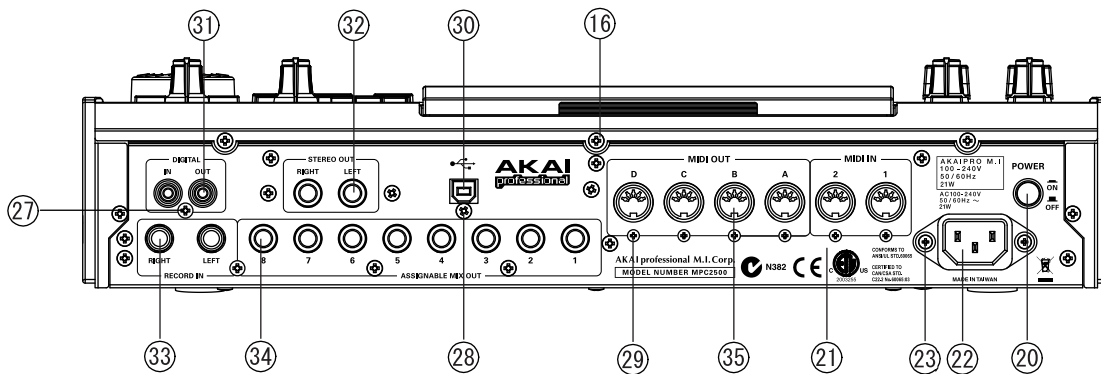
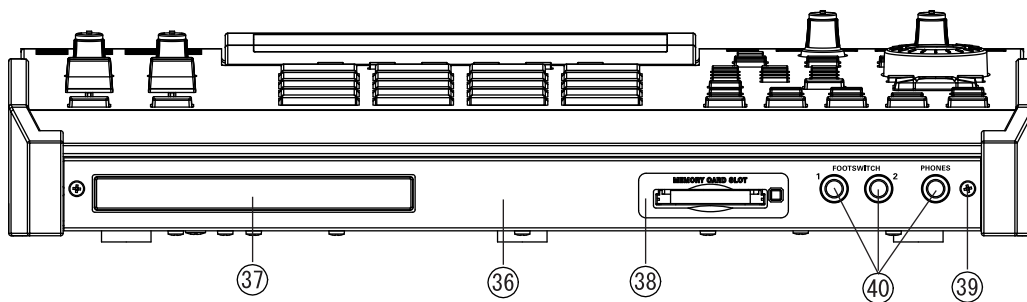
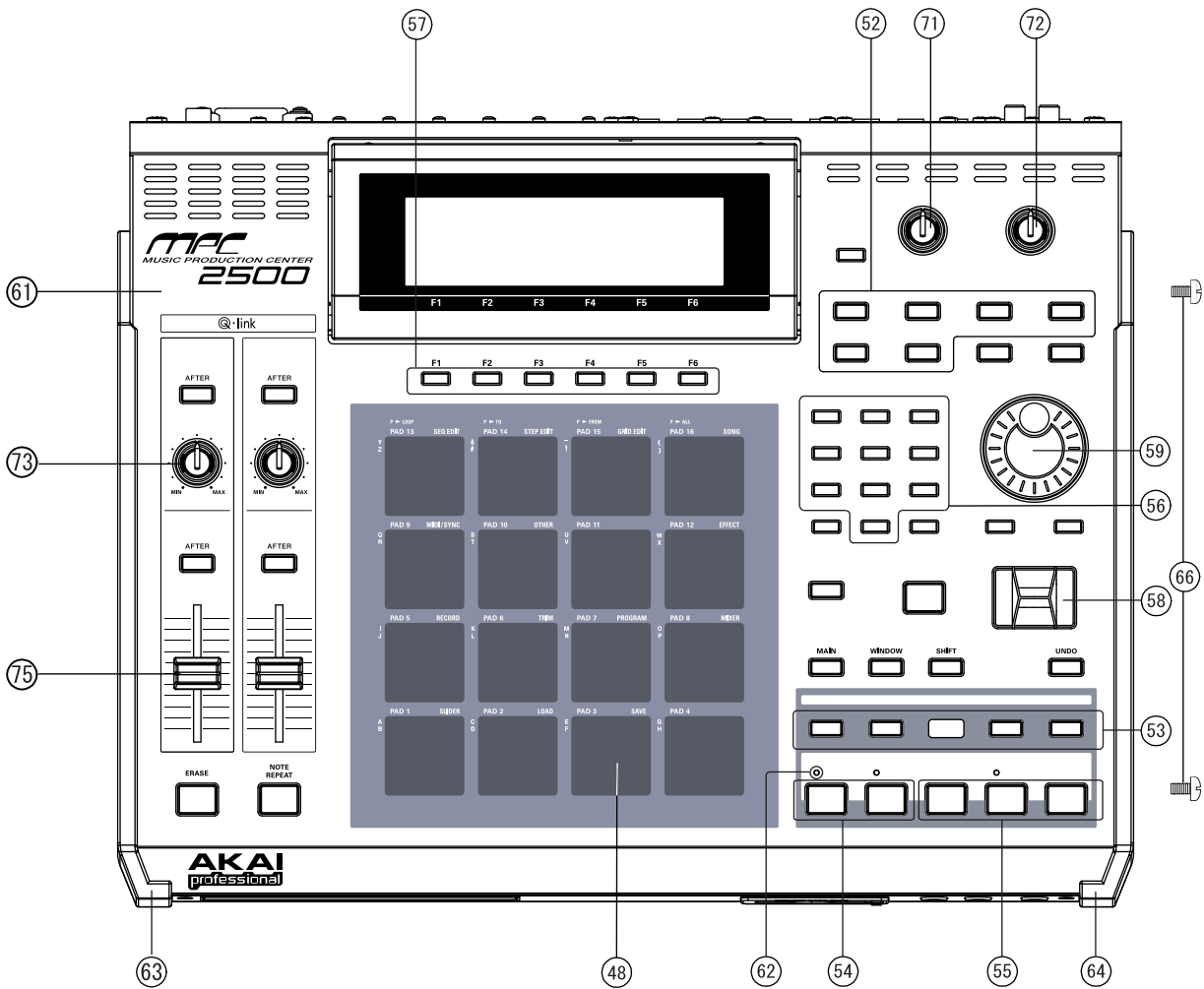
Ref. No.	Part No.	Description
SW750	ES - 349474	SW TACT SKHHAM004A
SW751	ES - 349474	SW TACT SKHHAM004A
SW752	ES - 349474	SW TACT SKHHAM004A
SW753	ES - 349474	SW TACT SKHHAM004A
SW754	ES - 349474	SW TACT SKHHAM004A
SW755	ES - 349474	SW TACT SKHHAM004A
D750	ED - 811455J	D SILICON H 1SS133T-77 T26
D751	ED - 811455J	D SILICON H 1SS133T-77 T26
D752	ED - 811455J	D SILICON H 1SS133T-77 T26
D753	ED - 811455J	D SILICON H 1SS133T-77 T26
D754	ED - 811455J	D SILICON H 1SS133T-77 T26
D755	ED - 811455J	D SILICON H 1SS133T-77 T26

14. FINAL ASSEMBLY BLK

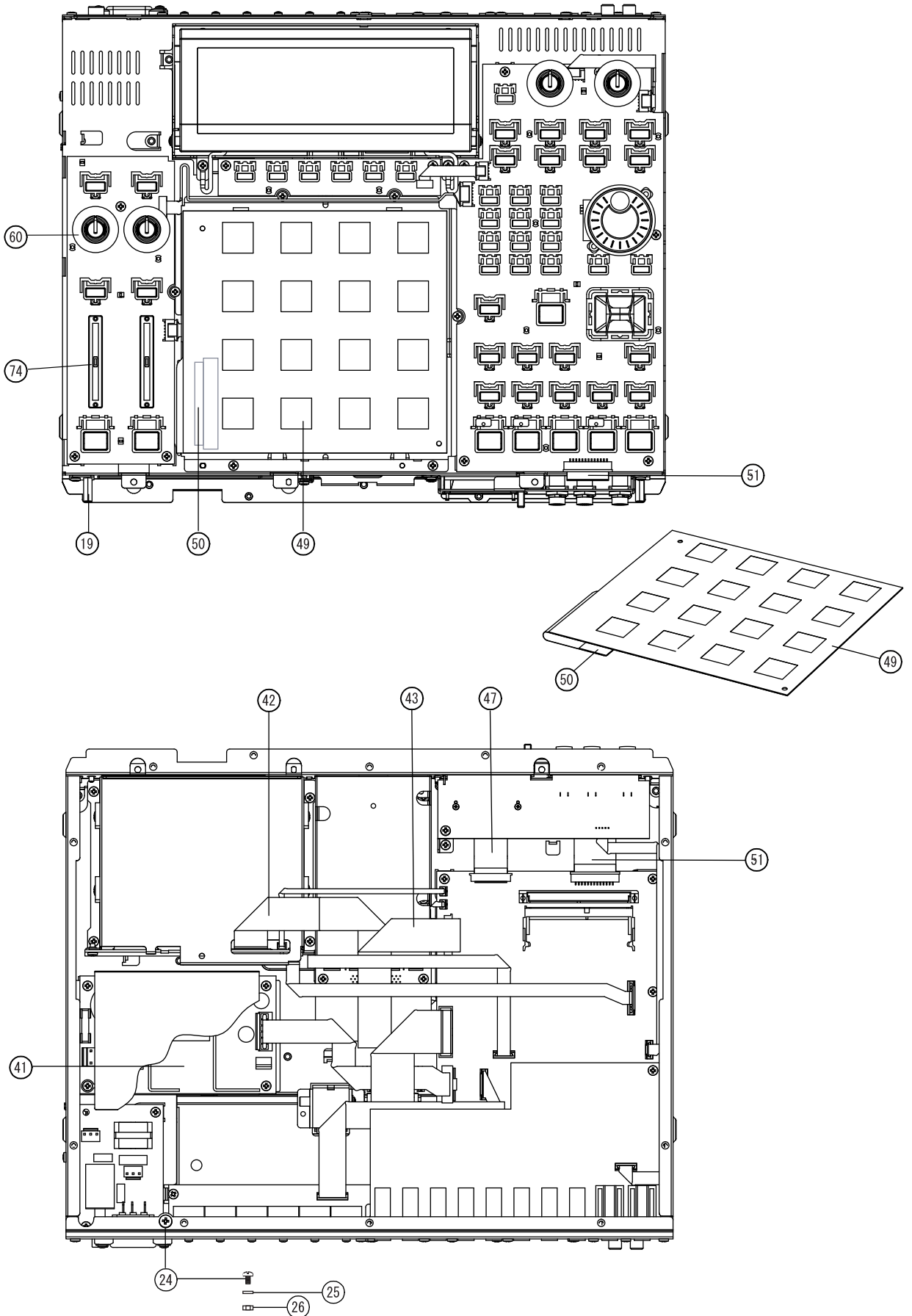
Ref. No.	Part No.	Description
1	SP - 822292X	PANEL LCD
2	SP - 822296X	WINDOW LCD
3	EM - 822661X	IND LCD BY-MG24064DLYS-02H
4	EW - 822353X	WIRE ASSY L4039 W105 24P
5	SZ - 821800X	SHIELD LCD(1)
6	SZ - 821801X	SHIELD LCD(2)
7	SP - 822291X	PANEL LCD BOTTOM
8	SP - 822295X	PLATE LCD BOTTOM
9	ZS - 394414J	BT BID30X08STL BZN
10	ZG - 822279X	BUSH PANEL LCD
11	MB - 822286X	CUSHION RUBBER
12	ML - 822277X	LEVER
13	ZG - 822281X	SP TORSION LEVER
14	MH - 820655X	PROP 1 F.SCREW L=27
15	ZS - 428277J	PAN30X06STL CMT POLY WAVE
16	ZS - 404181J	BT BID30X06STL BZN
17	ZS - 428277J	PAN30X06STL CMT POLY WAVE
18	ZS - 404181J	BT BID30X06STL BZN
19	MH - 822280X	PROP M.SCREW L=15.1
20	SB - 810525J	BUTTON POWER Knob
	△ ES - 812750J	SW PUSH SDKEC 02-1 SW Power

21	SP - 822294X	PANEL REAR MPC2500
22	! EJ - 358632J2	SOCKET INLET SOT-16 3P
23	ZS - 820481X	BT PAN30X08STL BZN C080
24	ZS - 822425X	BID40X10STL BZN
25	ZS - 822662X	TWB40
26	ZS - 413267	N FRANGE 40STL CMT
27	ZS - 394414J	BT BID30X08STL BZN
28	ZS - 822426X	BID30X08STL BZN
29	ZS - 822427X	PAN26X06STL BZN
30	EJ - 821236X	SOCKET CONNECTER YKF45-0020 4P USB
31	EJ - 822660X	PIN J YKC21-4141N P2P RCA Pin
32	EJ - 821000X	PHONE J YKB26-5264 S.NUT 6.3 Stereo Out
33	EJ - 821273X	PHONE J YKB26-5326 S.NUT 6.3 Rec In
34	EJ - 821000X	PHONE J YKB26-5264 S.NUT 6.3 8 para
35	EJ - 427801J	DIN J TCS5084-45-4151 5P MIDI
36	SP - 822293X	COVER FRONT
37	SP - 822300X	COVER CD BLANK
38	SP - 822334X	PANEL SLOT (B)
39	ZS - 822429X	CTS30X06STL BZN
40	EJ - 821386X	PHONE J YKB22-5264 NUT 6.3
41	△ BP - 822391X	SW POW SNP-9541-M1
42	EW - 822369X	CORD FFC P0.50 L220 42P
43	EW - 822368X	CORD FFC P0.50 L170 42P
44	ZS - 822428X	N20STL NI3 2
45	ZS - 356861	PAN20X06STL NI3
46	EJ - 822406X	SOCKET ACCE EJECT CFHP-00-0023
47	EW - 822367X	CORD FFC P0.50 L60 42P
48	SE - 822401X	PAD TW-LG
49	BA - 379695J1	PC PAD SENSOR
50	SE - 821143X	SHEET FFC
51	EW - 822370X	CORD FFC P1.00 L100 26P
52	SB - 822298X	BUTTON PUSH M (A) Clear
	ES - 349474	SW TACT SKHHAM004A
53	SB - 822299X	BUTTON PUSH M (B) White
	ES - 349474	SW TACT SKHHAM004A
54	SB - 822333X	BUTTON PUSH B (7) Red
	ES - 415015J	SW TACT SKQEAD
55	SB - 821897X	BUTTON PUSH B (6) White
	ES - 415015J	SW TACT SKQEAD
56	SB - 822331X	BUTTON PUSH (B)-8 Gray
	ES - 349474	SW TACT SKHHAM004A
57	SB - 822330X	BUTTON PUSH (B)-7 White
	ES - 349474	SW TACT SKHHAM004A
58	SB - 822307X	BUTTON CURSOR (5) Gray
	ES - 349474	SW TACT SKHHAM004A
59	SK - 822297X	KNOB JOG
	ES - 822352X	SW R.RECORDER SRGPSJ0500
60	SE - 822579X	MASK VR
61	SP - 822288X	PANEL TOP MPC2500
62	SE - 810353J	LENS LED
63	SP - 822289X	PANEL SIDE (L)
64	SP - 822290X	PANEL SIDE (R)
65	ZS - 822727X	BT CTS30X06STL BZN
66	ZS - 404225J	ST BID40X08STL BZN
67	ZS - 417137	BID30X04STL CMT for HD
68	SP - 822269X	COVER BOTTOM
69	SP - 821799X	COVER MEMORY
70	SA - 812668J	FOOT B
71	SK - 822308X	KNOB VOL PART (17) Red
	EV - 822422X	VR ROTARY RD14K12D L20 C203X2
72	SK - 822311X	KNOB VOL PART (18) Silver
	EV - 822377X	VR ROTARY RD14K12D L20 3B103X2
73	SK - 822313X	KNOB VOL PART (19) Black
	EV - 822377X	VR ROTARY RD14K12D L20 3B103X2
74	SK - 821679X	SPACER SLIDE
75	SK - 822332X	KNOB SLIDE (E)
	EV - 822423X	VR SLIDE RF45112P6 L15 B103X2
76	△ EW - 822664X	AC CORD 250SSP301S14 A J
76	△ EW - 822665X	AC CORD 200SSP301S14 A AC
76	△ EW - 822666X	AC CORD 183SLP33LS60 A E
76	△ EW - 822667X	AC CORD 200SSP601S14 A B
76	△ EW - 822576X	AC CORD 180SSP502BIS14 A S
77	△ EJ - 405424J	PLUG ADAPTOR KPR-25

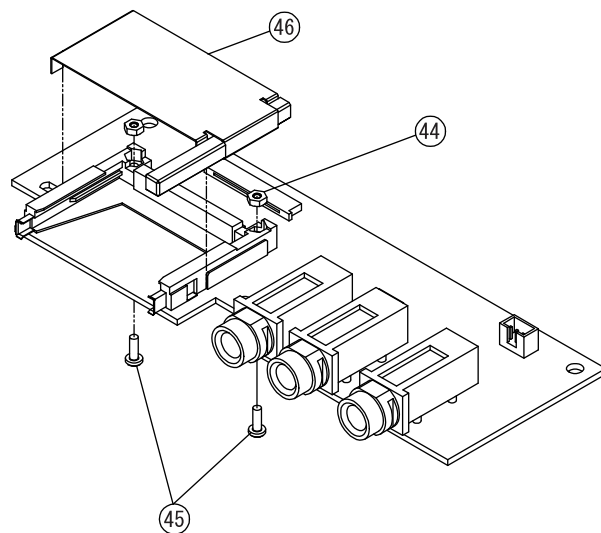
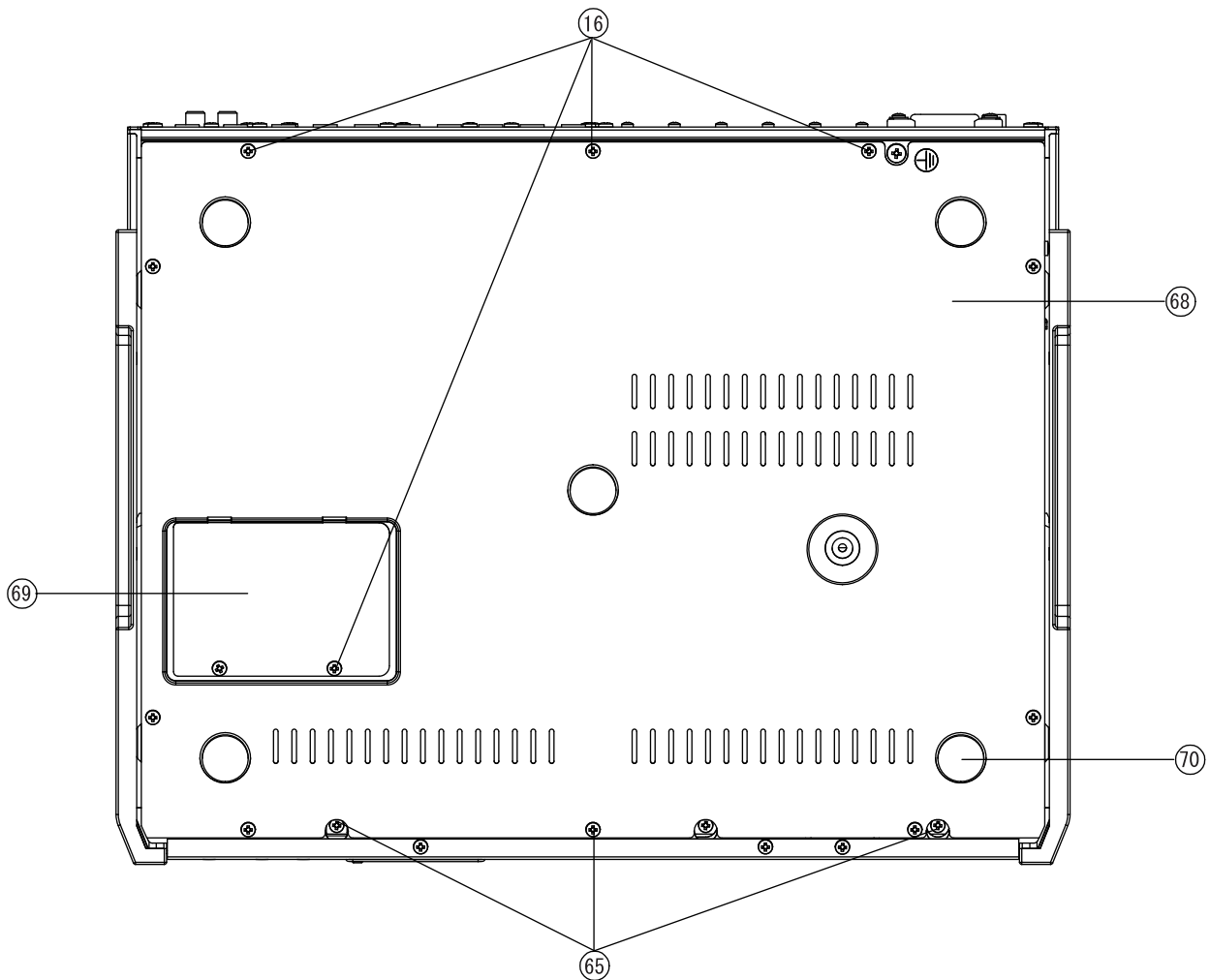
FINAL ASSEMBLY BLOCK



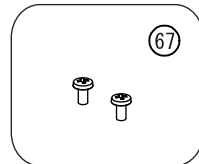
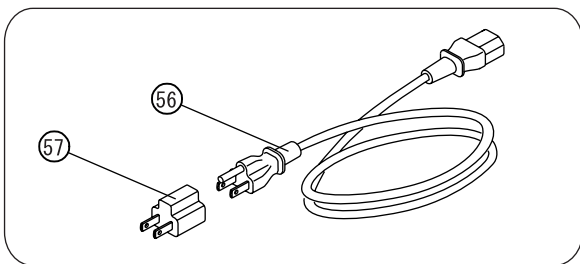
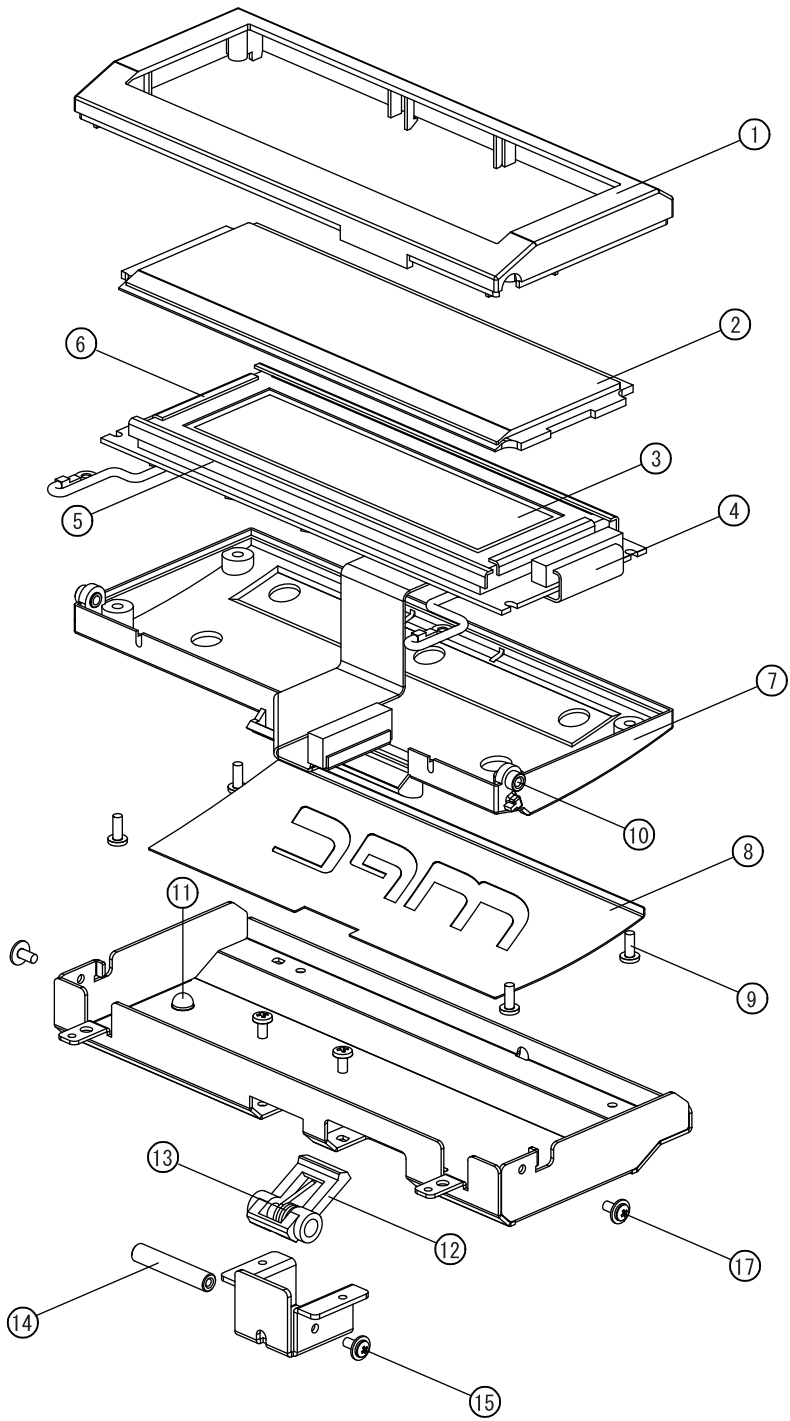
FINAL ASSEMBLY BLOCK



FINAL ASSEMBLY BLOCK

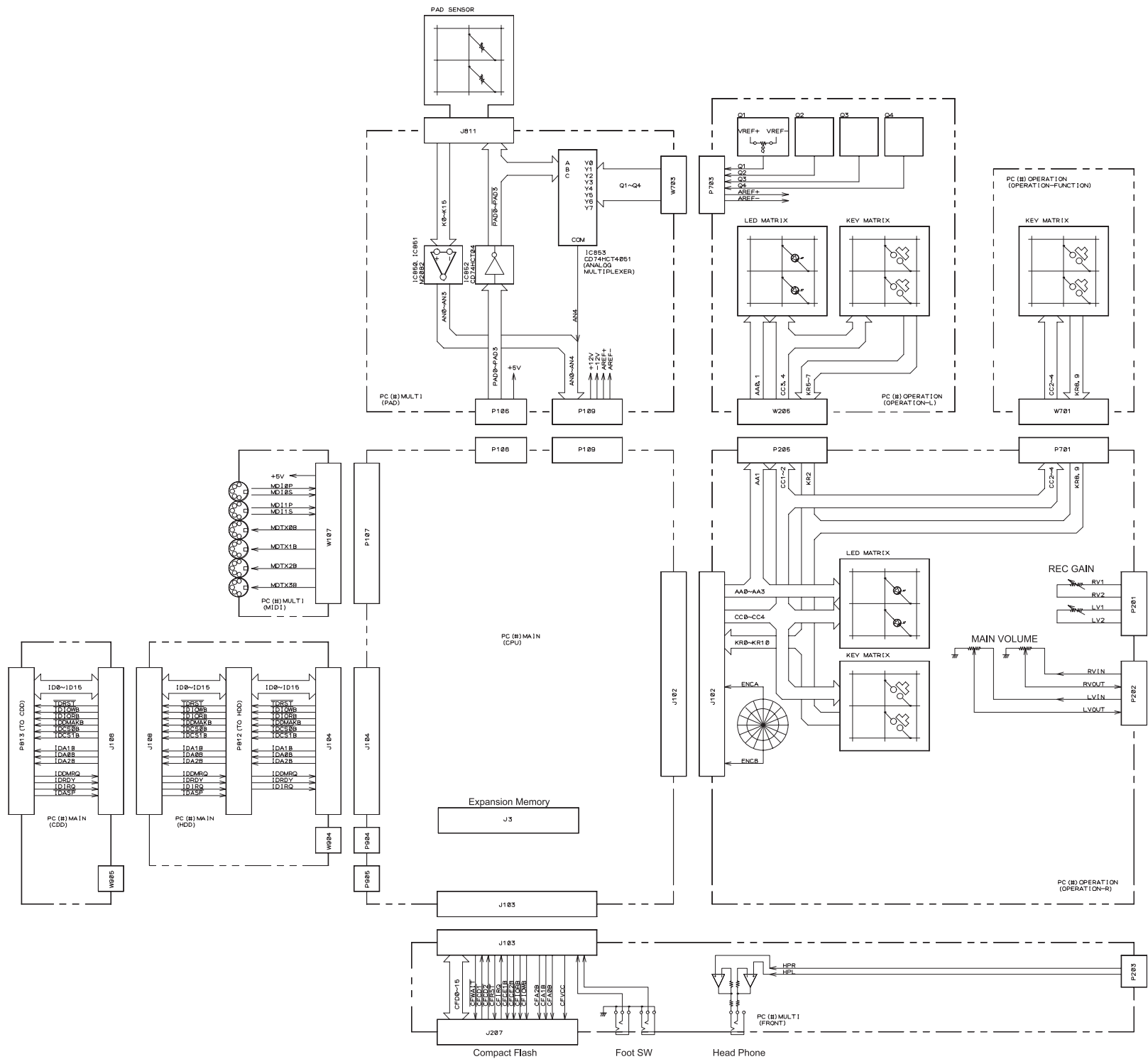


FINAL ASSEMBLY BLOCK

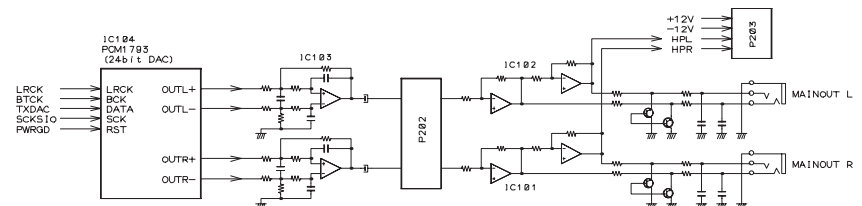
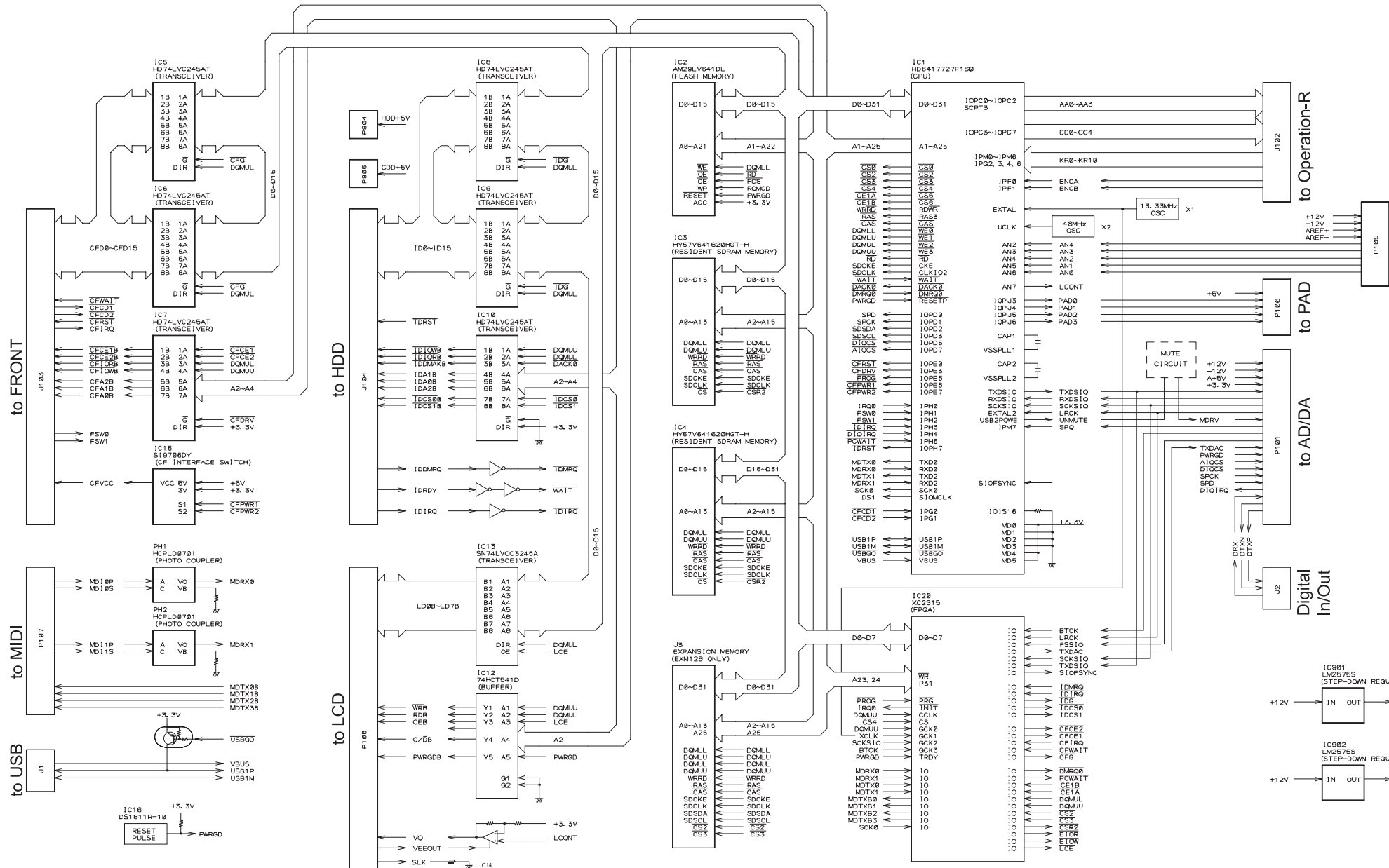


AKAI professional M.I. Corp.

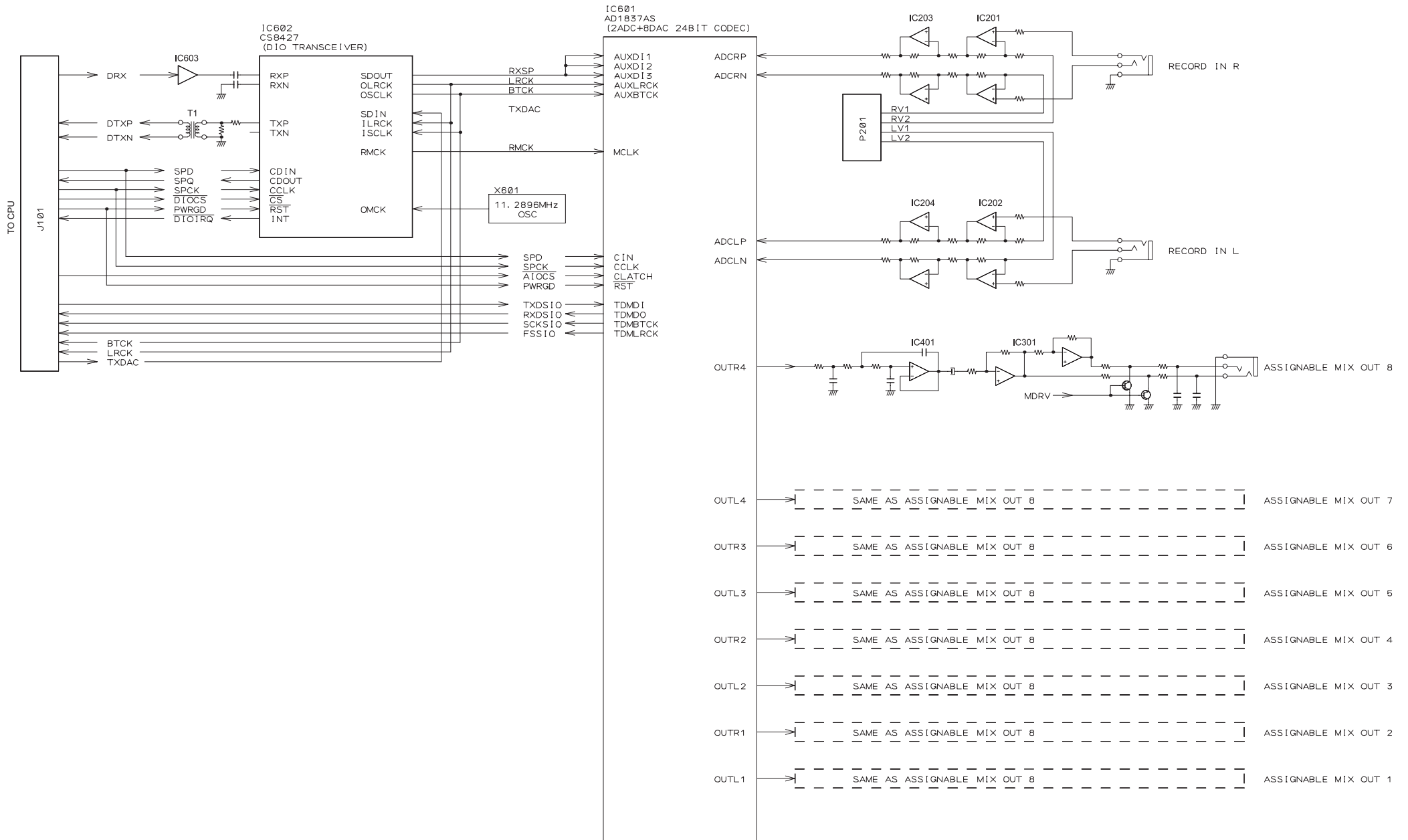
4-7-3, KITA-YAMATA, TSYZUKI-KU, YOKOHAMA, JAPAN
SERVICE SECT. PHONE : +81-45-914-8530 FAX : +81-45-914-8531



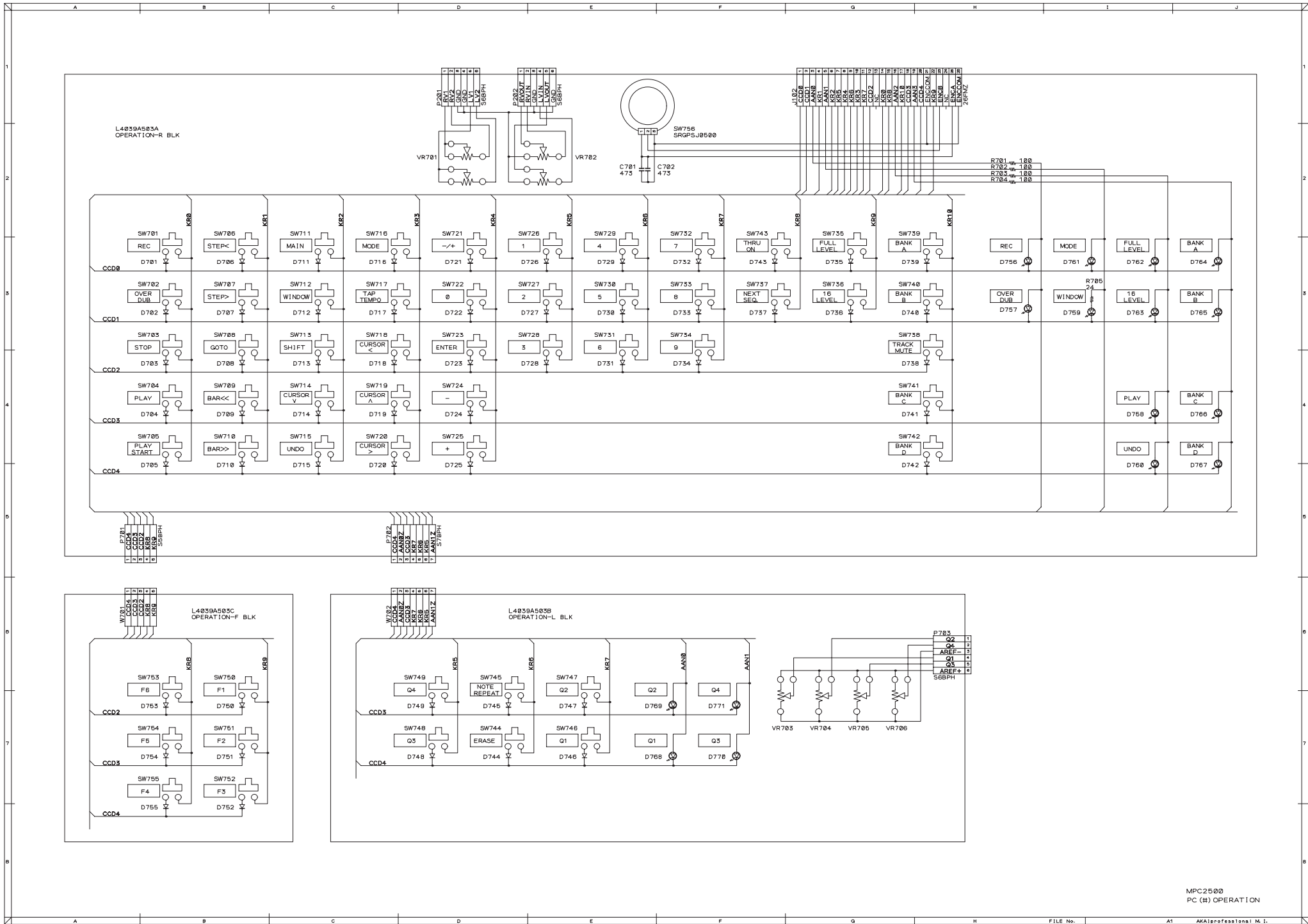
Operation / Connection BLK Diagram



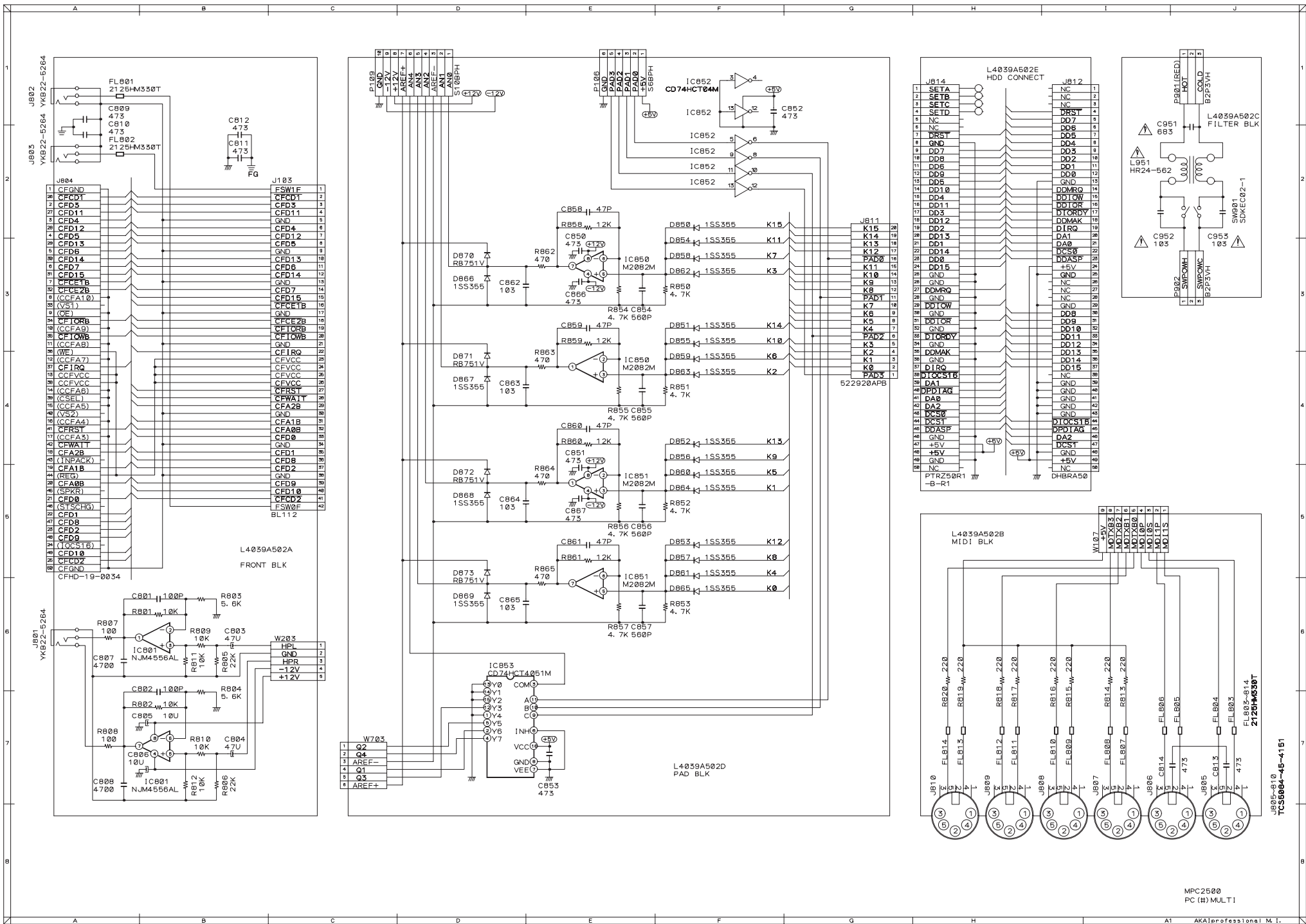
PC CPU BLK Diagram



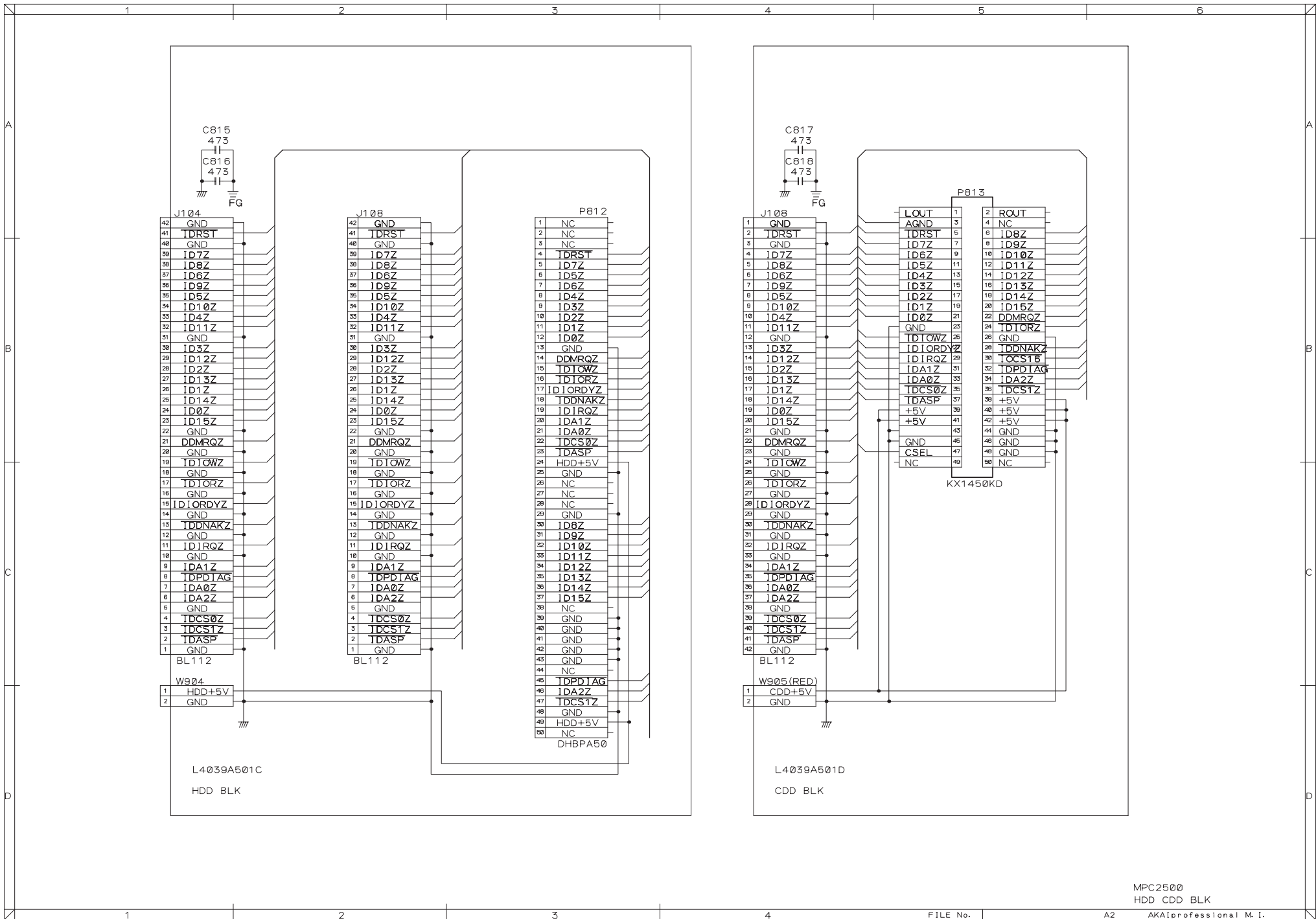
PC AD/DA BLK Diagram



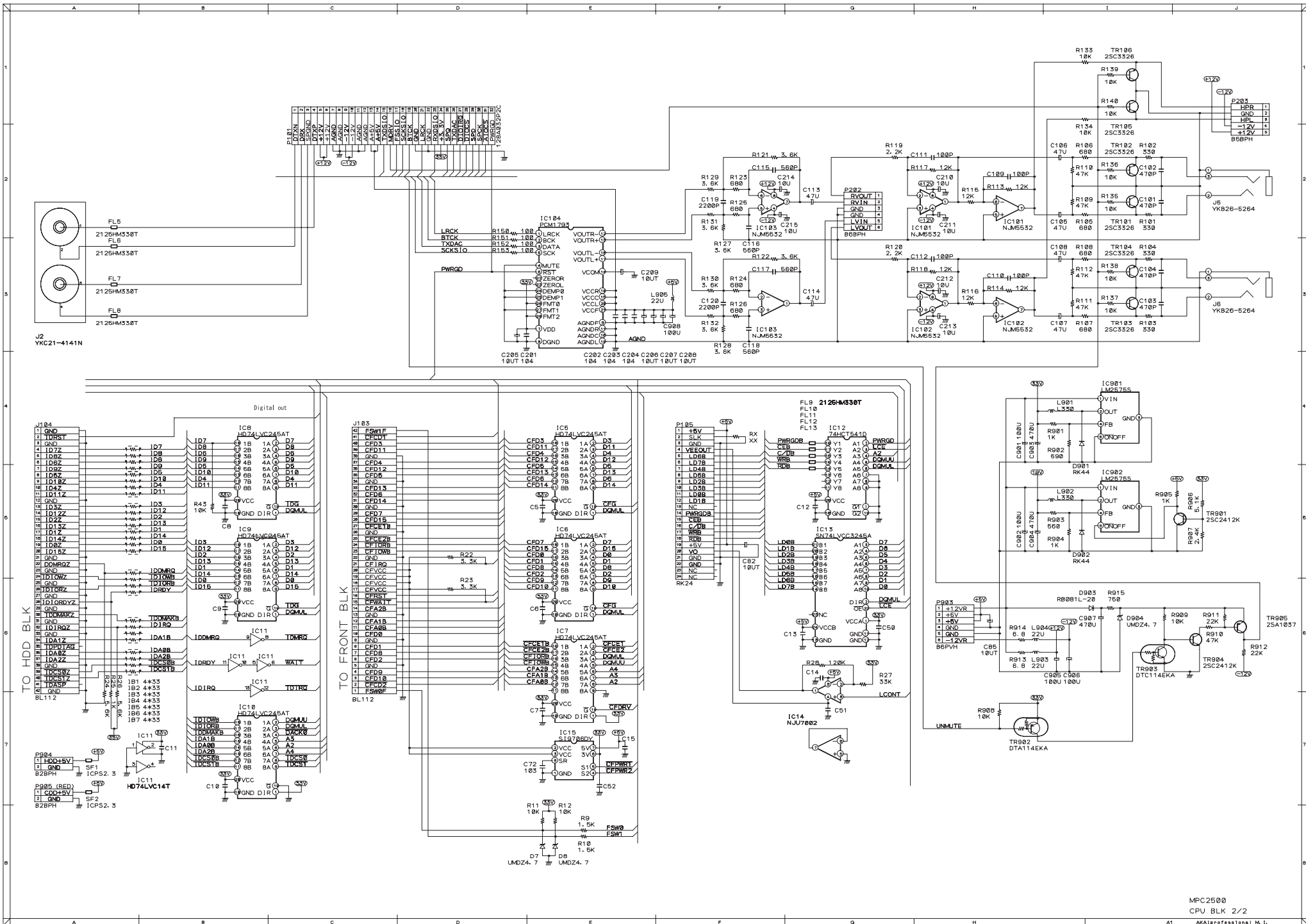
MPC2500
PC (H) OPERATION

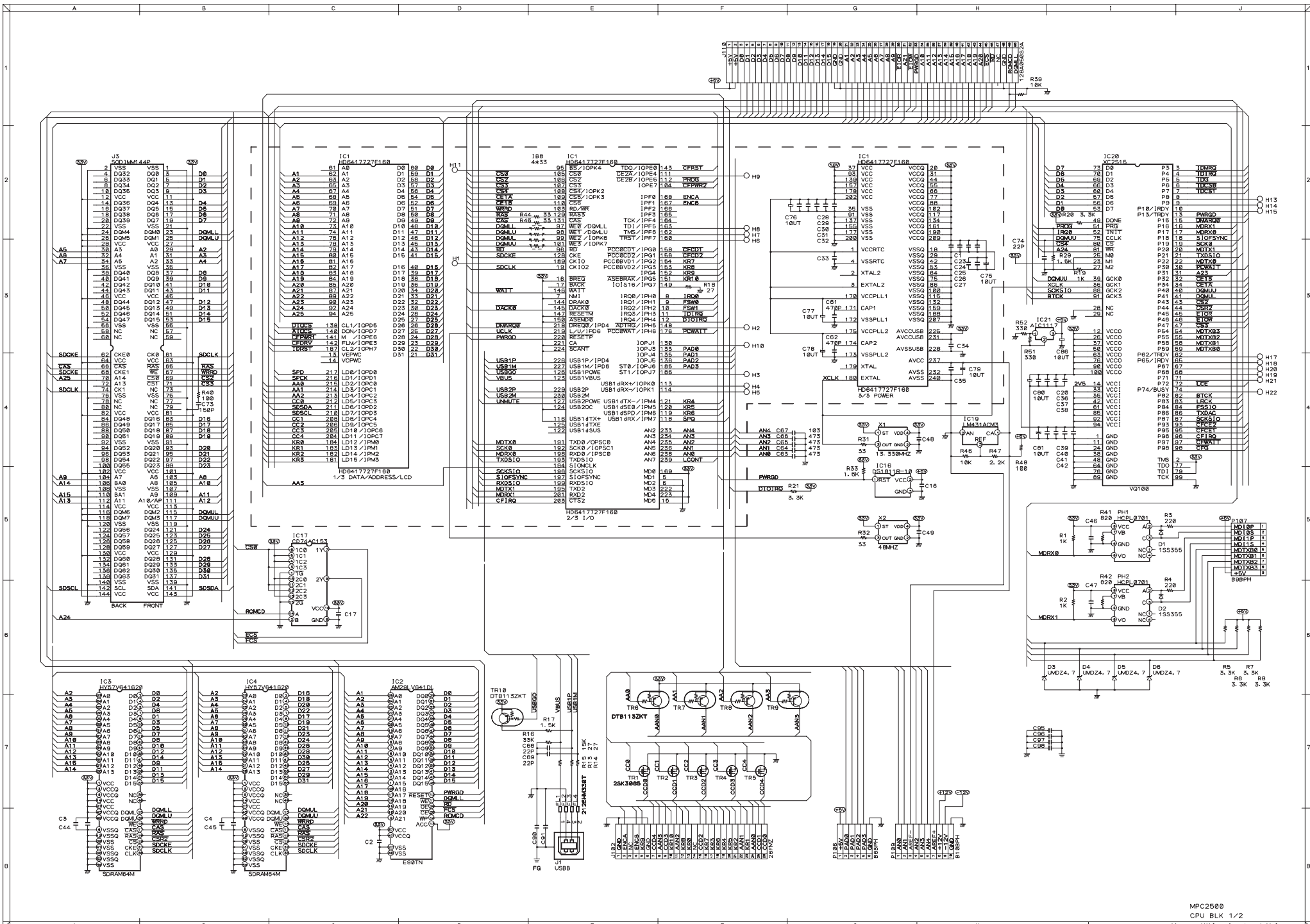


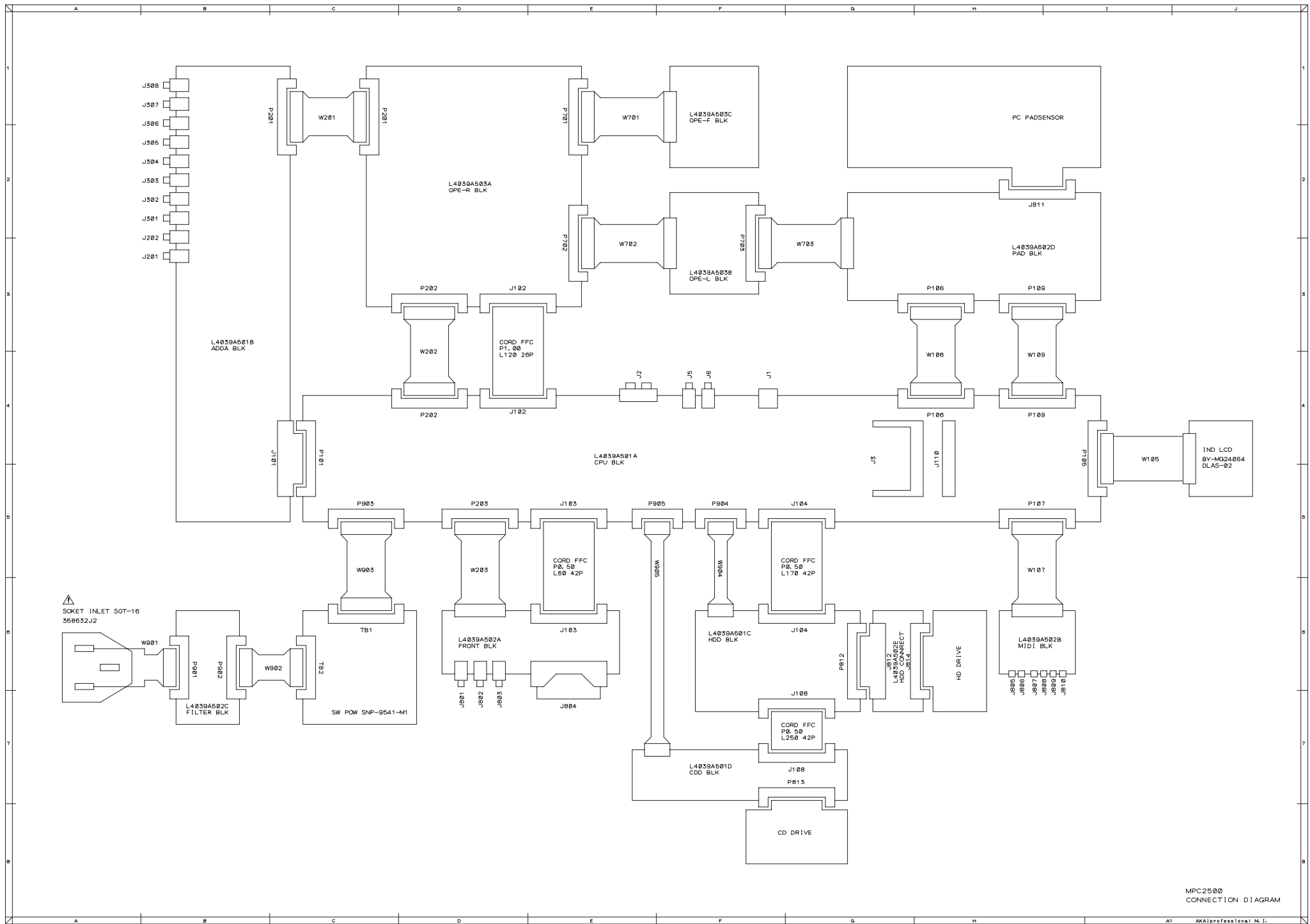
MPC2500
PC (4) MULT1



MPC2500
HDD CDD BLK







MPC2500
CONNECTION DIAGRAM

