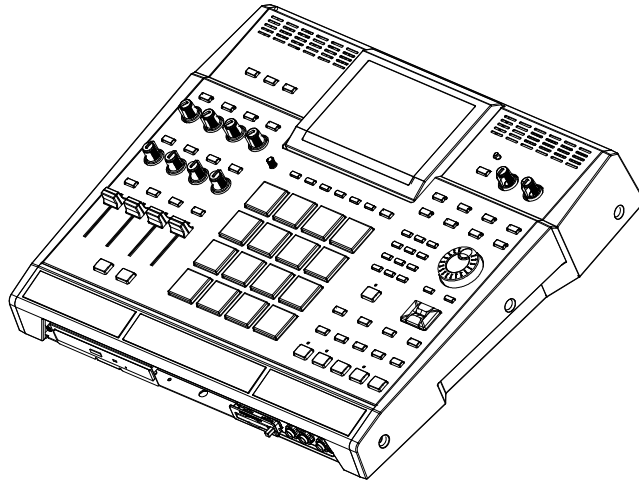


SERVICE MANUAL

MODEL: MPC5000



SPECIFICATIONS

General

Display / 240 x 128 dot graphic LCD w/back light
Memory card slot / Compact Flash (The size of the compact flash card that MPC5000 can handle is from 32MB to 2GB)
Dimensions (W x H x D) / 18in x 16 1/16 x 3 3/8 (6 7/8 with screen at max)
Weight / 18.2 lbs
Power requirement / 50W

Sound generator

Sampling rate / 44.1kHz
Memory capacity / 64MB standard, expandable to 192MB
Recording time / 12m 48sec. (64MB, MONO), 38m 24sec. (192MB MONO)
Memory expansion slot / 1 x for optional EXM-E3
Data format / 16-bit linear
Polyphony / 64
Dynamic filtering / 1 State Variable Filter per voice (up to 8 pole, depending on type)
Filter type / LOW PASS, BAND PASS, HIGH PASS, BAND BOOST, BAND STOP, ANALOG MODELING, VOCAL FORMANT
Preset sound memory / 16MB
Number of programs / 128

Effects

Effects / 4 stereo busses with 2 stereo effects per buss, and Master effect
Master effect / 4 band EQ, Compressor

Sequencer

Maximum events / 100,000 notes
Resolution / 960 parts per 1/4-note
Sequences / 99
Tracks per sequence / 64
MIDI output channels / 64 (16 channels x 4 outputs)
Song mode / 20 songs, 250 steps per song
Drum pad / 16 (velocity and pressure sensitive)
Drum pad banks / 4
Sync mode / MIDI clock, MIDI Time Code
Transport Controls / MIDI Machine Control

Inputs/Outputs

Record input (L and R) / MIC/ 1/4-inch Combo x 2 balanced -40dBu, input impedance 11k ohms; RCA with PHONO preamp,
Max. Input level / +10dBu
Digital input / RCA-pin x 1 S/PDIF
Stereo output (L and R) / 1/4-inch phone x 2 balanced +11dBu, output impedance 1k Ohms,
Max. output level / +22dBu
8 individual outputs / 1/4-inch phone x 4 balanced +11dBu, output impedance 1k Ohms,
Max. output level / +22dBu
Phones output / 1/4-inch stereo phone x 1, 200mW / 100 ohms
Digital output / RCA-pin x 1 S/PDIF
ADAT Optical x 1 (8 Channels)
MIDI inputs / 5-pin DIN x 2
MIDI outputs / 5-pin DIN x 4
USB / Slave connector x 1, USB MASS STORAGE CLASS support (Windows 2000/Me/XP or later version, or Mac OS 9.x/10.x or later version.)
Footswitches / 1/4-inch x 2

Standard accessories

Standard accessories / Power cable, Operator's manual

Options

EXM-E3 / 128MB expansion memory card (Upgrades unit to 192MB total) CDM-25 CDR/DVD Drive

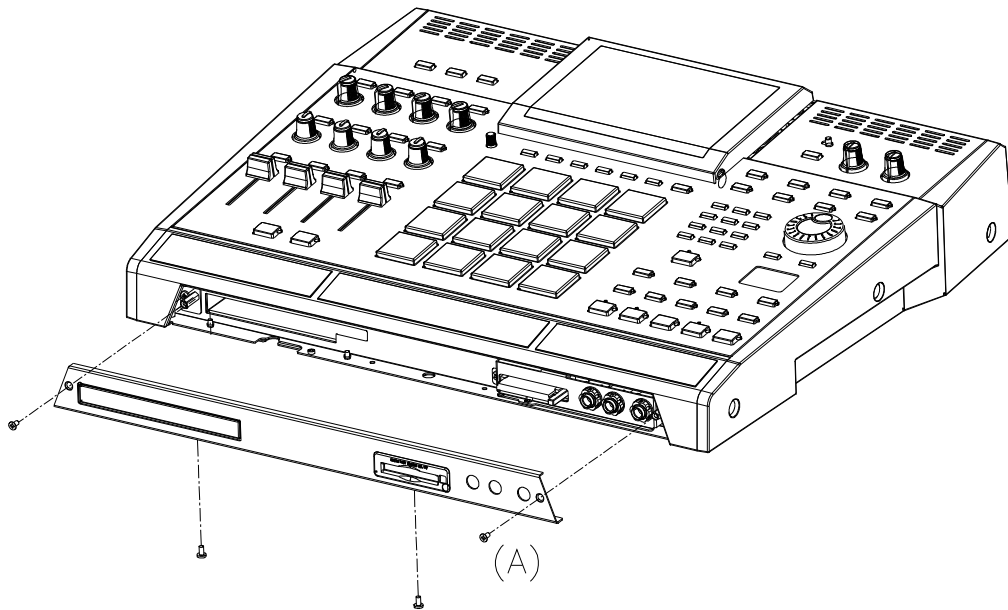
Data Compatibility

MPC1000 / SEQ, WAV, PGM
MPC2000/2000XL / SEQ, WAV, SND, PGM (Most parameters of PGM file can be loaded.)
MPC4000 / SEQ, WAV, PGM (DRUM program only. Only note assign and tune are loaded.)
MPC3000 / SND (THRU Computer)
Z4/Z8 / SEQ, WAV, PGM, (DRUM program only. Only note assign and tune are loaded.)
S5000/6000 / WAV only (THRU Computer)
S1000/3000 / No compatibility

DISASSEMBLY PROCEDURES

1. DISASSEMBLE THE FRONT COVER.

(A) REMOVE 4 PCS SCREW FROM FRONT COVER.

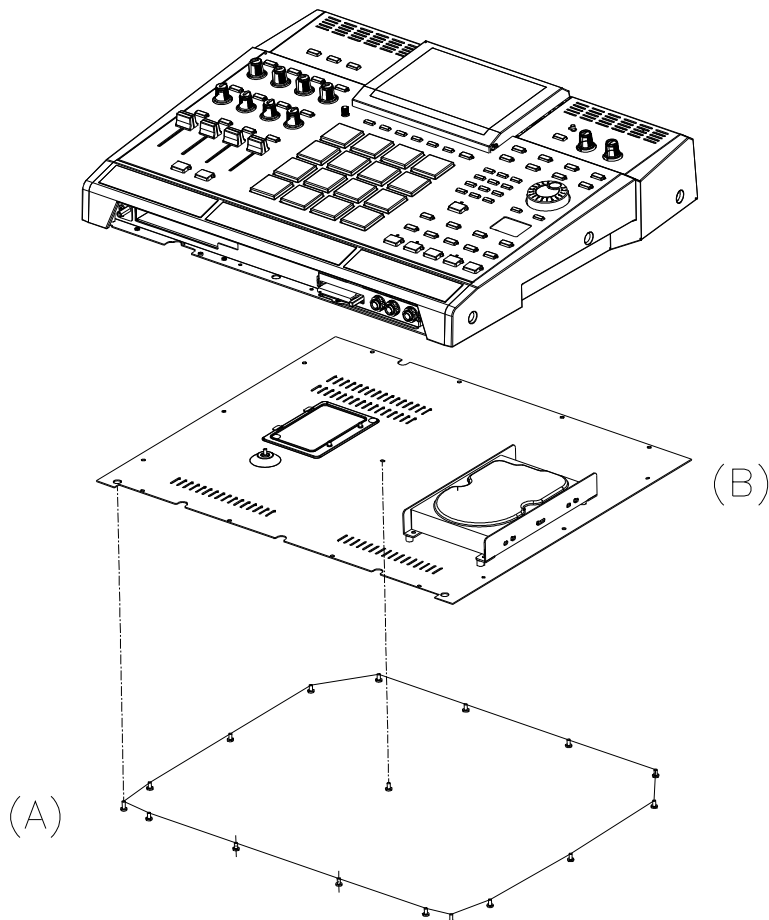


(Fig1)

2. DISASSEMBLE THE BOTTOM COVER.

(A) REMOVE 17 PCS SCREW FROM BOTTOM COVER.

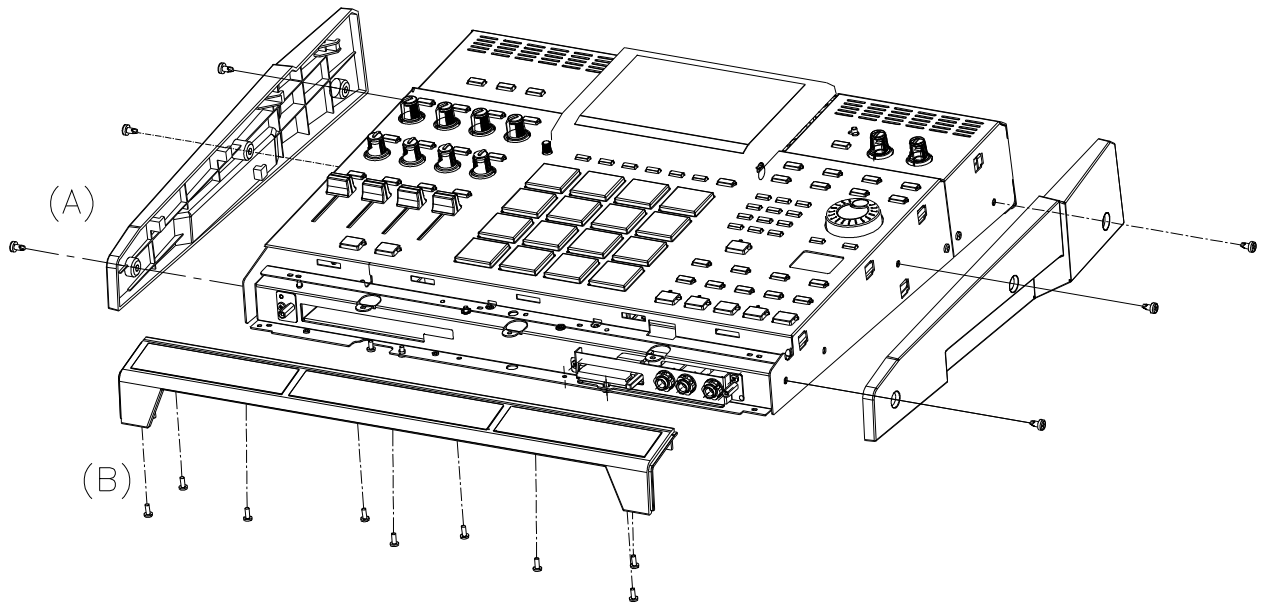
(B) THE BOTTOM COVER CANNOT BE TAKEN AWAY START, FIRST LIFTS ANGLE 30~40, DISASSEMBLY CABLE FROM HP HARD DISK, THEN TAKE THE BOTTOM COVER OFF.



(Fig2)

3. DISASSEMBLE THE SIDE CAP AND PALMREST.

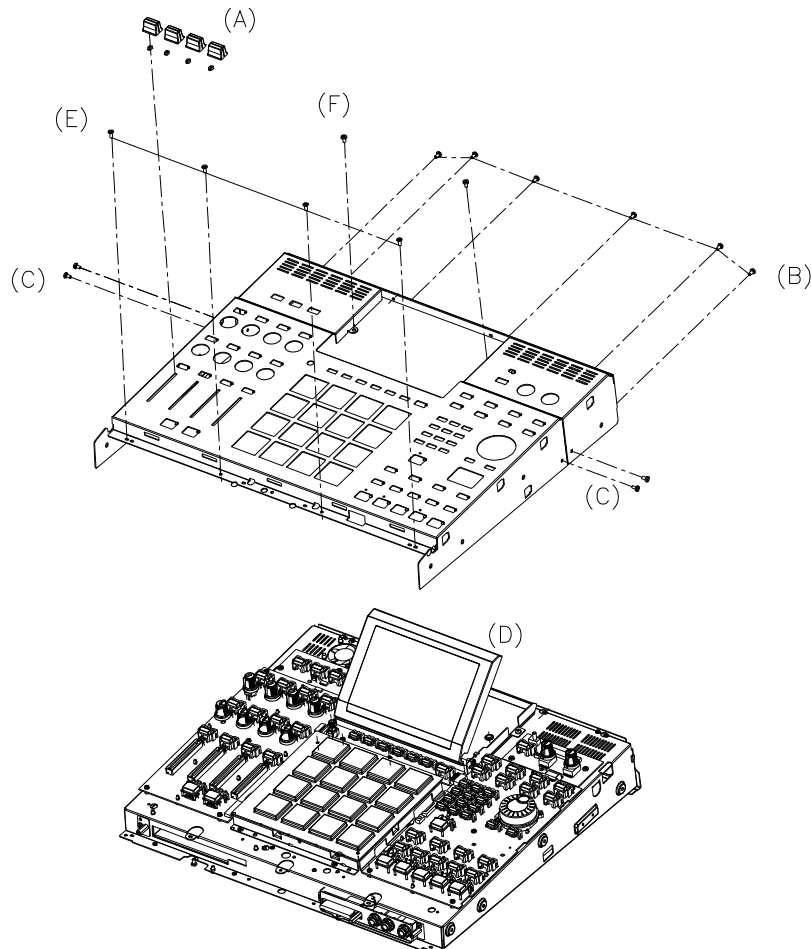
- (A) REMOVE 6 PCS SCREW FROM SIDE CAP.
- (B) REMOVE 9 PCS SCREW FROM THE PART



(Fig3)

4. DISASSEMBLE THE TOP PANEL.

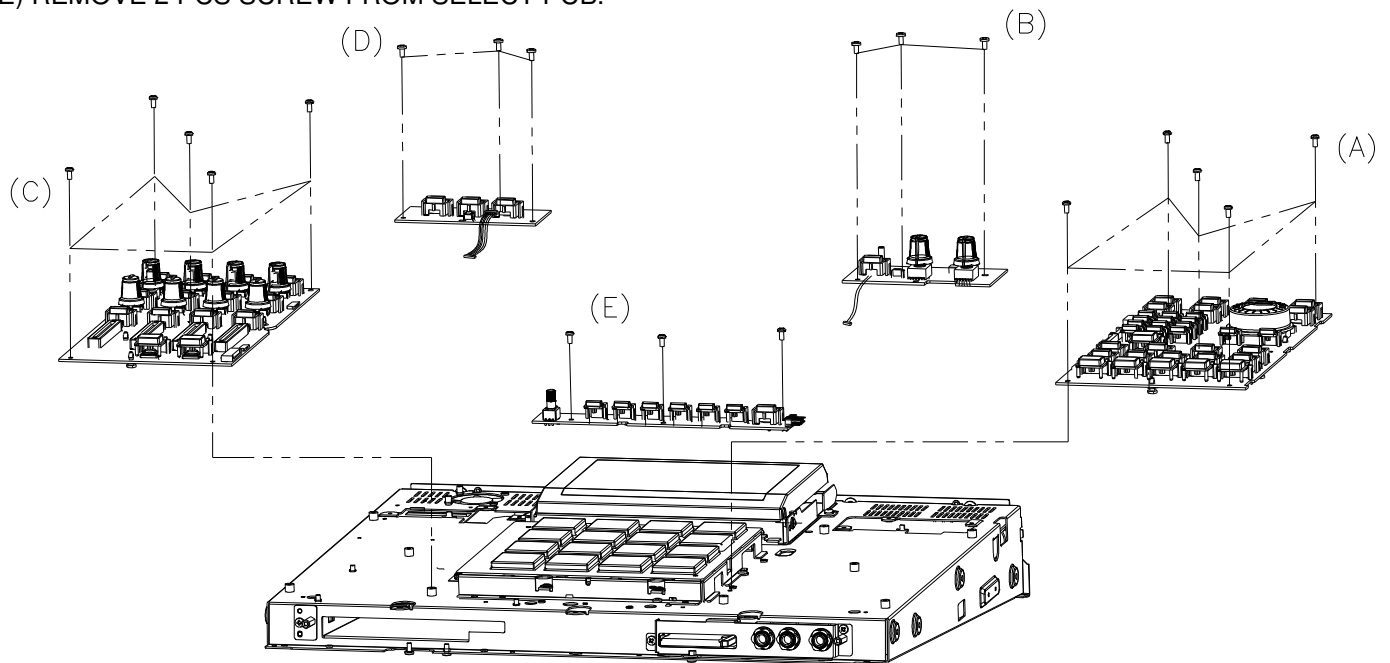
- (A) REMOVE 4 PCS SIDE CAP AND 4 PCS SPACER SLIDE FROM TOP PANEL.
- (B) REMOVE 6 PCS SCREW FROM TOP PANEL.
- (C) REMOVE 4 PCS SCREW FROM PANEL SIDE.
- (D) REMOVE 4 PCS SCREW FROM PANEL TOP.
- (E) LIFT THE LCM MODULE.
- (F) WIPES OUT 2 PCS SCREW FROM PANEL LCM MODULE.



(Fig4)

5. DISASSEMBLE MAIN CONTROL PCB, VOLUME PCB, Q LINK PCB, SYNTH PCB, SELECT PCB ASS'Y.

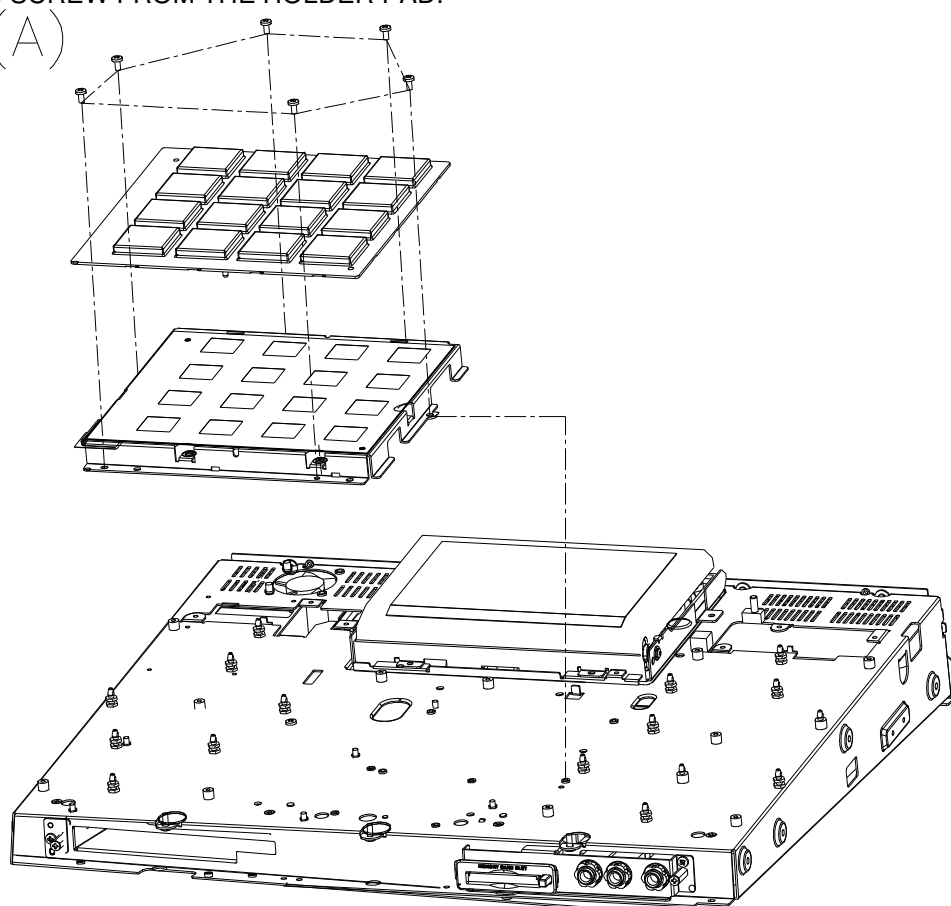
- (A) REMOVE 5 PCS SCREW FROM MAIN CONTROL PCB.
- (B) REMOVE 3 PCS SCREW FROM VOLUME PCB.
- (C) REMOVE 5 PCS SCREW FROM Q LINK PCB.
- (D) REMOVE 3 PCS SCREW FROM SYNTH PCB.
- (E) REMOVE 2 PCS SCREW FROM SELECT PCB.



(Fig5)

6. DISASSEMBLE THE PAD ASS'Y.

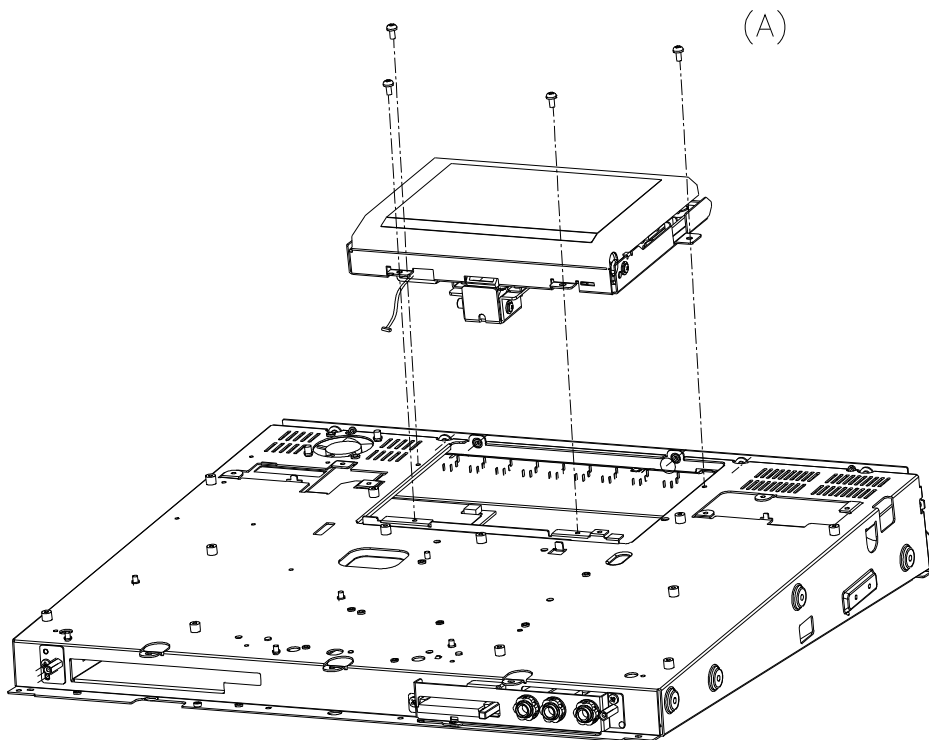
- (A) REMOVE 6 PCS SCREW FROM THE HOLDER PAD.



(Fig6)

7. DISASSEMBLE PANEL LCM MODLE.

(A) REMOVE 4 PCS SCREW FROM PANEL LCD BOTTON.

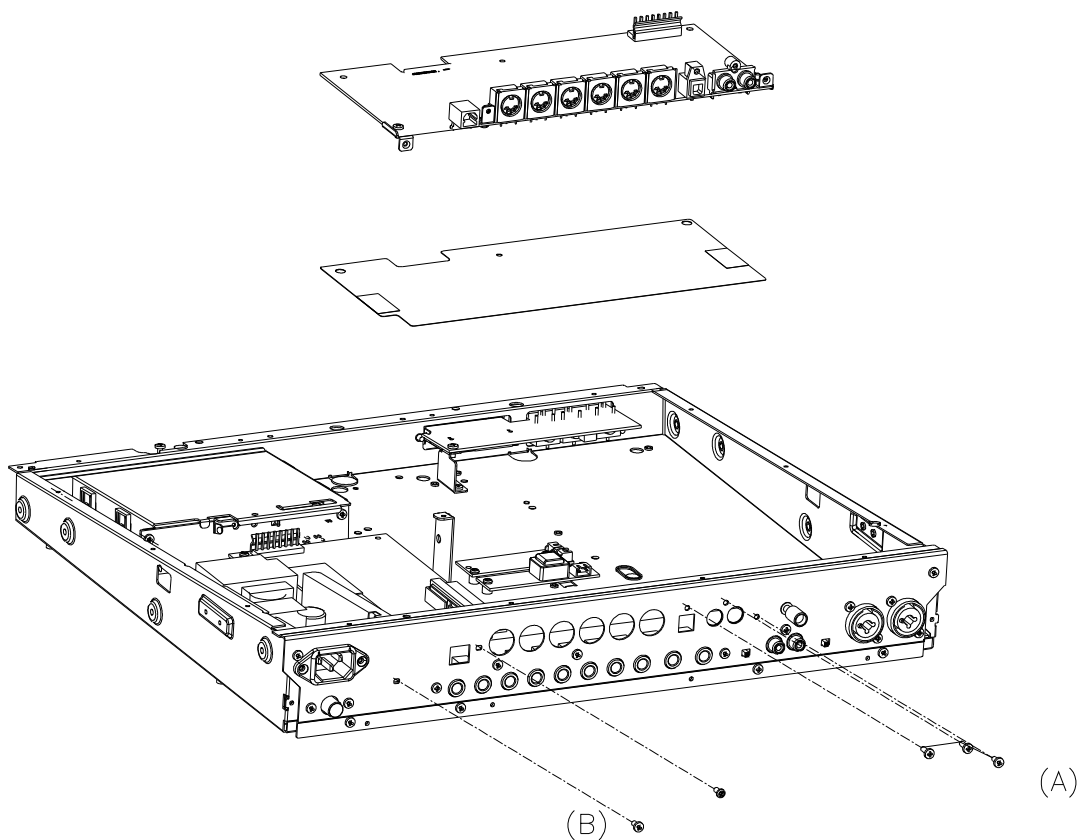


(Fig7)

8. DISASSEMBLE THE MAIN PCB ASS'Y.

(A) REMOVE 3 PCS SCREW FROM THE REAR PANEL.

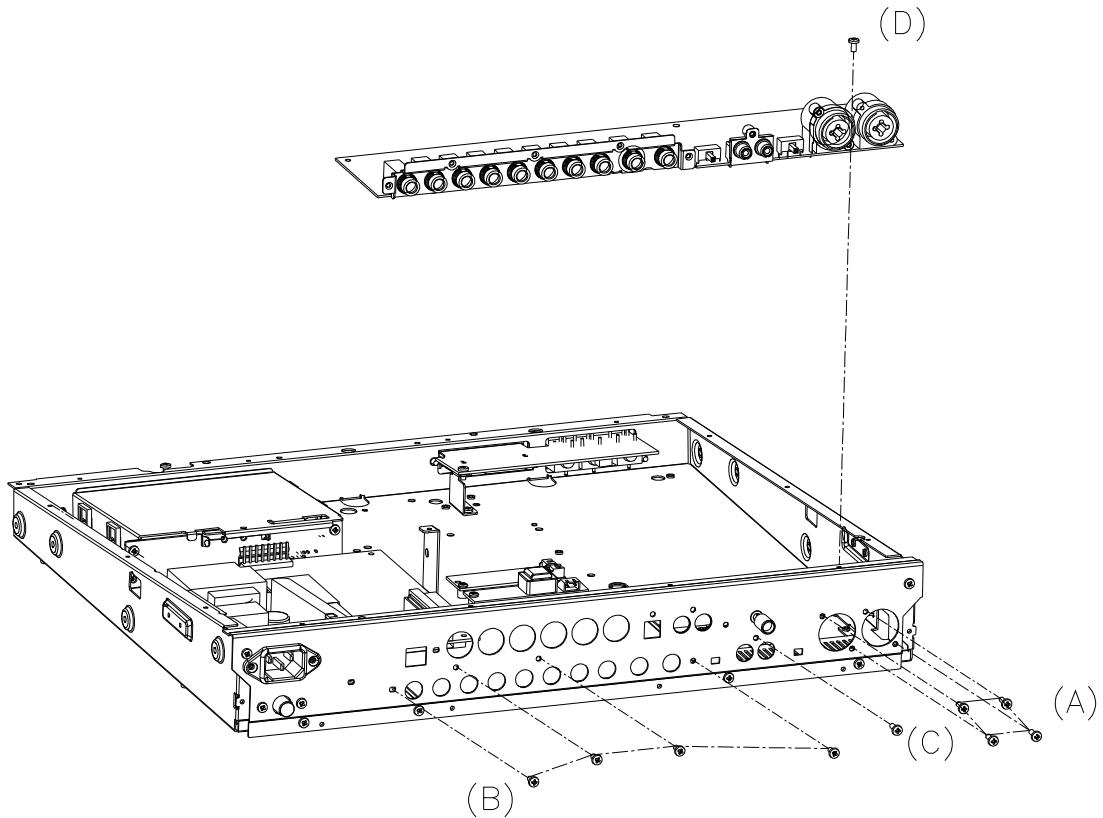
(B) REMOVE 4 PCS SCREW FROM THE REAR PANEL.



(Fig8)

9. DISASSEMBLE THE ANALOG PCB.

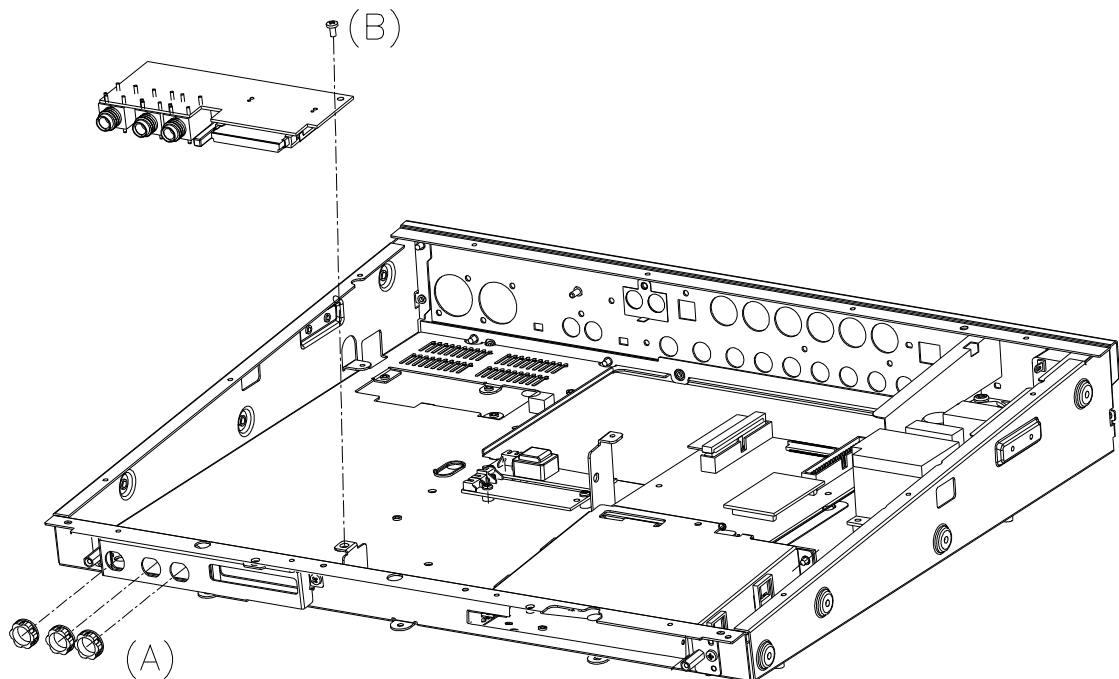
- (A) REMOVE 4 PCS SCREW FROM THE REAR PANEL.
- (B) REMOVE 4 PCS SCREW FROM THE REAE PANEL
- (C) REMOVE 1 PCS SCREW FROM THE REAE PANEL
- (D) REMOVE 1 PCS SCREW FROM THE REAE PANEL



(Fig9)

10. DISASSEMBLE THE CF PCB

- (A) REMOVE 3 PCS NUTS FROM HOLDER HP.
- (B) REMOVE 1 PCS M SCREW FROM CF PCB.



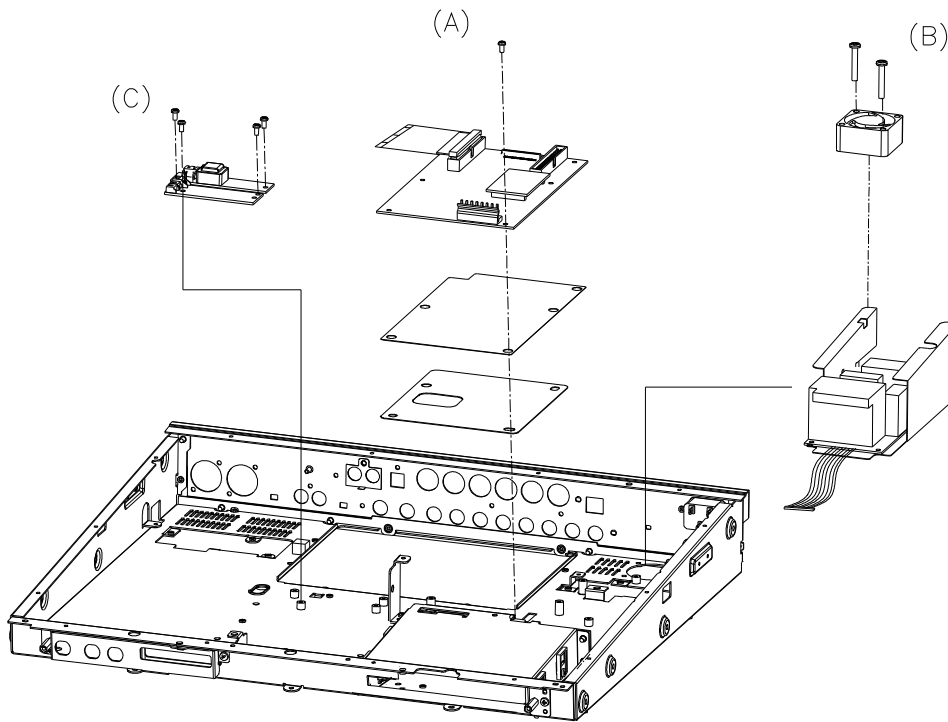
(Fig10)

11. DISASSEMBLE THE DIGITAL EXPANSION PCB, CHASSIS.

(A) REMOVE 1 PCS SCREW AND 1PCS SCREW FROM DIGITAL EXPANSION PCB.

(B) REMOVE 2 PCS SCREW FROM THE CHASSIS.

(C) REMOVE 4 PCS 1PCS SCREW FROM THE CHASSIS.

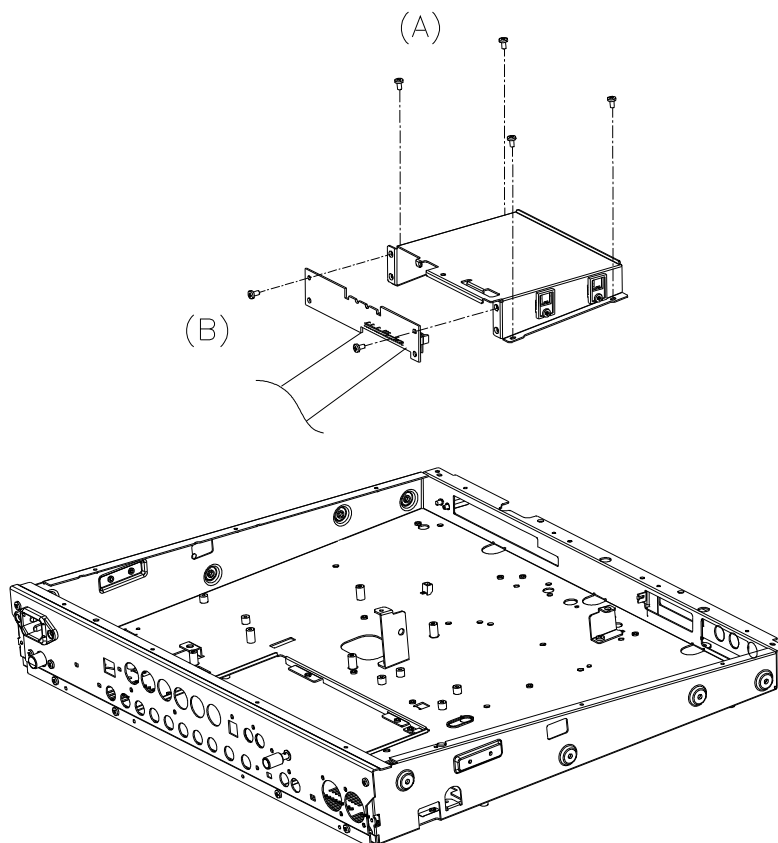


(Fig11)

12. DISASSEMBLE THE DVD PCB.

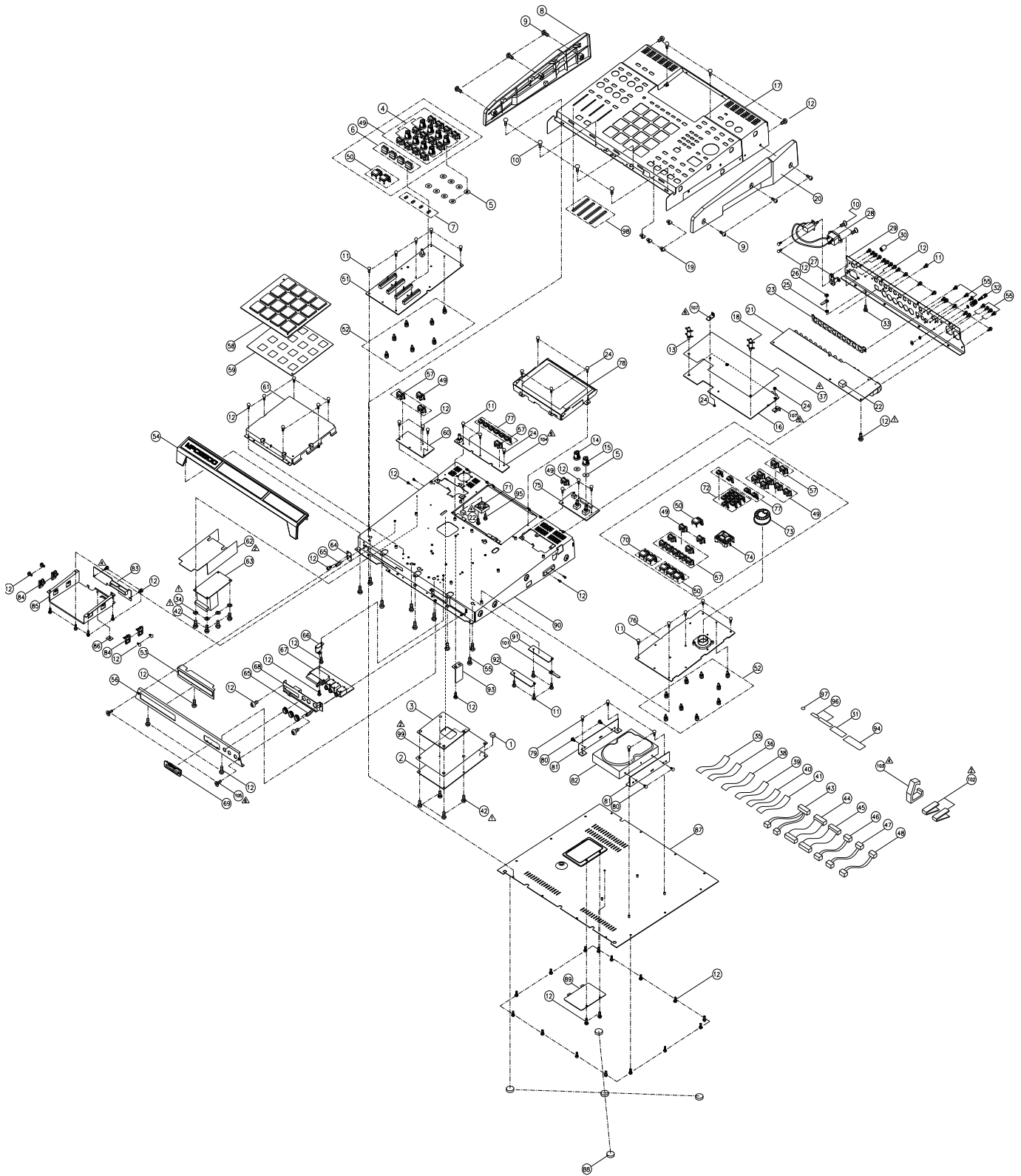
(A) REMOVE 4 PCS SCREW FROM THE HOLDER CD.

(B) REMOVE 2 PCS SCREW FROM THE DVD PCB.



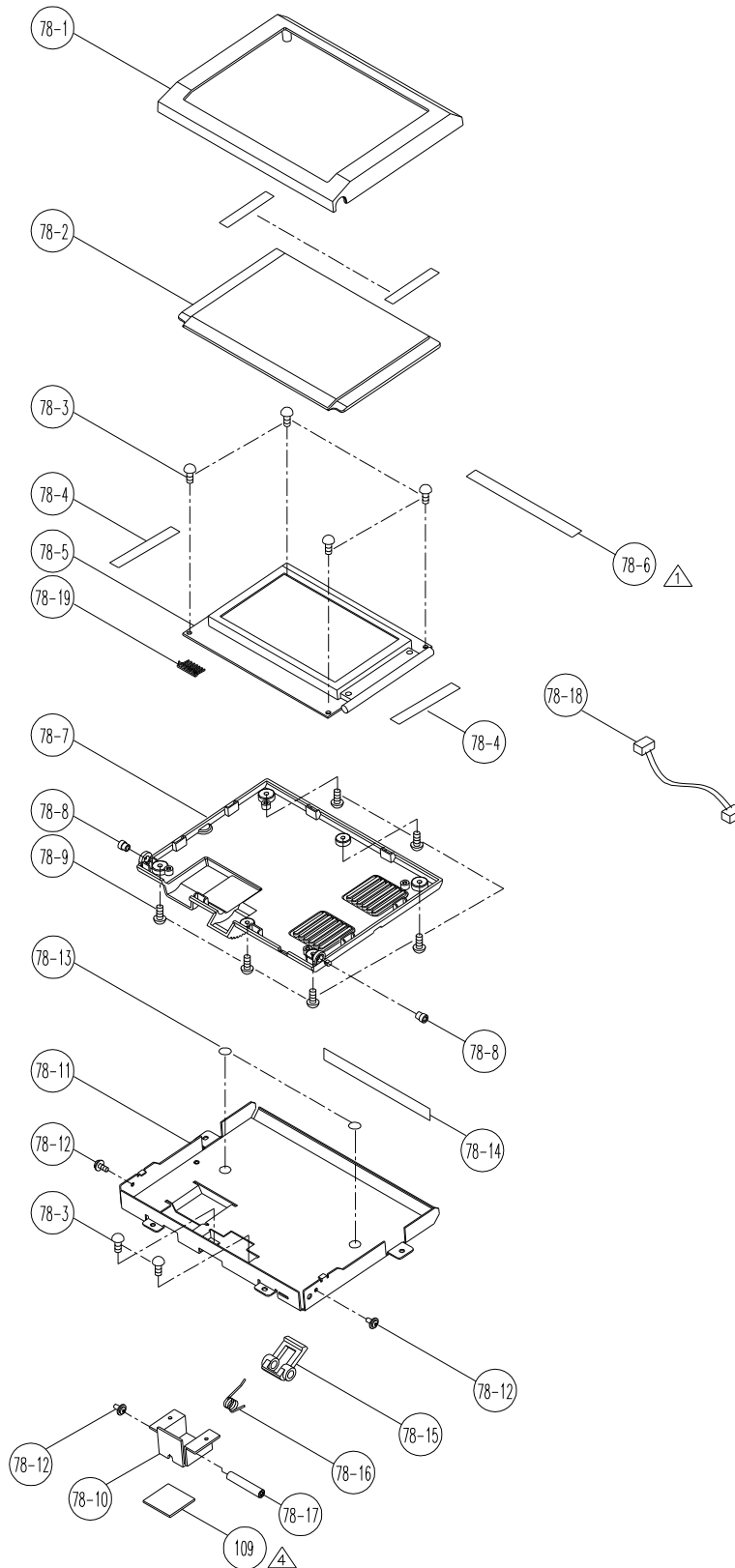
(Fig12)

EXPLODE DIAGRAM (US/EU/UK/JIS/AUS NZ)



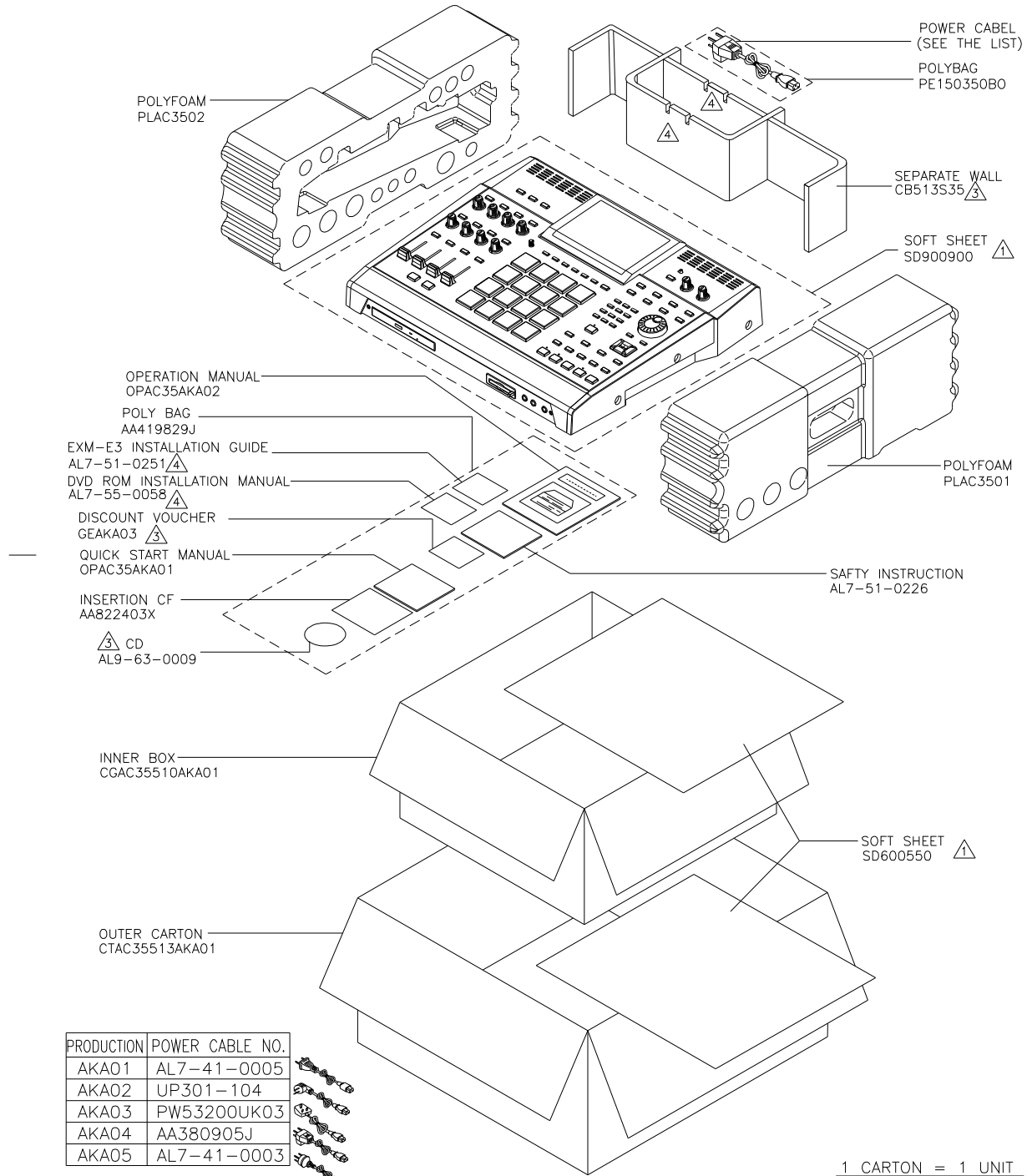
EQUENCIAL NO EXPLODE DIAGRAM WILL BE MARKED ON REF.COLUMM OF BOM LIST

EXPLODE DIAGRAM (US/EU/UK/JIS/AUS NZ)



NOTE : PLEASE VOLUNTARILY PASTES ABOVE 78-2 ATTACHES TWO TWO-SIDED RUBBER EQUENCIAL NO EXPLODE DIAGRAM WILL BE MARKED ON REF.COLUMNM OF BOM LIST

PACKING DIAGRAM (US/EU/UK/JIS/AUS NZ)



MPC5000AKA BOM

LEVEL	P/N	DESCRIPTION	QTY	REF
1	AA810353J	LENS LED	4	19
1	AA810525J	BUTTON POWER	1	30
1	AA811571J	LABEL CAUTION	1	94
1	AA812668J	FOOT B	5	88
1	AA821679X	SPACER SLIDE	4	7
1	AA821799X	COVER MEMORY	1	89
1	AA822124X	LABEL FCC-S	1	31
1	AA822272X	HOLDER ADDA	1	23
1	AA822273X	HOLDER HP	1	68
1	AA822275X	HOLDER MIDI	2	107
1	AA822278X	HOLDER FRONT	1	64
1	AA822280X	PROP M.SCREW L=15.1	2	65
1	AA822283X	HOLDER CD	1	85
1	AA822285X	HOLDER PCB	1	66
1	AA822287X	GUIDE CD	4	84
1	AA822298X	BUTTON PUSH M (A) CLEAR	22	49
1	AA822299X	BUTTON PUSH M (B)	12	57
1	AA822308X	KNOB VOL PART (17)	1	14
2	PT1510606	KNOB VOL(8)	1	
2	PT151060701	KNOB (SPRAY PAINT SILVER)(10)	1	
3	PT1510607	KNOB VOL(10)	1	
1	AA822311X	KNOB VOL PART (18)	1	15
2	PT1510606	KNOB VOL(8)	1	
2	PT151060702	KNOB CAP(RED)(11)	1	
1	AA822313X	KNOB VOL PART(19)	8	4
2	PT1510606	KNOB VOL(8)	8	
2	PT151060703	KNOB (SPRAY PAINT BLACK)(12)	8	
1	AA822330X	BUTTON PUSH (B)-7 COOL GRAY 4C	10	77
1	AA822331X	BUTTON PUSH (B)-8 COOL GRAY 9C	10	72
1	AA822333X	BUTTON PUSH B (7) RED 187C	2	70
1	AA822334X	PANEL SLOT (B)	1	69
1	AA822401X	RUBBER DRUM PAD TW-LG	1	58
1	AA822775X	EVA	1	86
1	AL5-00-0149	SCREW NO.6-32 UNC	4	80
1	AL7-10-0124	FAN	1	71
1	AL9-79-0365	DC-AC INVERTER	1	91
1	AL9-79-0366	DIMMERS	1	92
1	BACBS-22A	PCB SUPPORT	1	18
1	BACBS-29A	PCB SUPPORT	1	13
1	BAFAM-25A	FLAT CABLE CLAMP	2	102
1	BAGL-40A	CLIP	1	101
1	BAGL-70L	CLIP	1	
1	BAMCBS-5P	PCB SUPPORT	16	52
1	BAWD800JB	HARD DISCS	1	82
1	BAWEM-01	FLAT CABLE CLAMP	1	103
1	CN0420001703	Flat Cable 4P(2P+2P) Pitch 2.5	1	43
1	CN4025402902	Flat Cable ATA Type 20P*2 Pitc	1	44
1	CN4025403501	Flat Cable ATA Type 20P*2 Pitc	1	45

1	EVA1504406	EVA(30X30MM)	1	
1	FFC1305002001	FFC 13Pin Pitch:0.5mm Length:2	1	35
1	FFC2005002301	FFC 20Pin Pitch:0.5mm Length:2	1	36
1	FFC2805004711	FFC 28Pin Pitch:0.5mm Length:4	1	38
1	FFC3010002011	FFC 30Pin Pitch:1.0mm Length:2	1	39
1	FFC4505006001	FFC 45Pin Pitch:0.5mm Length:6	1	40
1	FFC5005000501	FFC 50Pin Pitch:0.5mm Length:5	1	41
1	K46-1	CABLE TIE	5	
1	LA67YH104	GND INDICATE STICKER	1	97
1	LAC27AKA01	LABEL BARCODE-B(A)	1	96
1	MT1101809	SCREW GROUND ASS'Y	1	32
1	MT1304446	BRACKET HDD	2	81
1	MT150290201	CD COVER(PAINT)	1	53
2	MT1502902	CD COVER	1	
1	MT150290401	COVER FRONT SPRAY PAINT & PRIN	1	56
1	MT1504316	BRACKET	1	93
1	MT1504413	SW HOLDER	1	27
1	MT1504414	PAD HOLDER	1	61
1	MT152040301	REAR PANEL SPRAY PAINT PRINTNG	1	29
2	MT1520403	REAR PANEL	1	
1	MT153000401	PANEL TOP SPRAY PAINT & PRINTI	1	17
1	MT1530201	CHASSIS MAIN	1	90
1	MT1530302	BOTTOM COVER	1	87
1	NM1106120	VELVET CARPET	10	5
1	NM1504402	FELT-45	4	98
1	NP215AKA07	INSULATION	1	
1	NP215AKA08	INSULATION	1	99
1	NP215AKA09	INSULATION	1	37
1	NP215AKA10	INSULATION	1	3
1	NUT01040IIZL	N FRANGE 40STL CMT	1	26
1	OTM10030	PAD SENSOR	1	59
1	PMPC3500AKA01	PAC ASS'Y	1	
2	AA419829J	POLY BAG(O/M A-4)-2	1	
2	AA822403X	INSERTION CF MPC2500	1	
2	AL7-41-0005	CABLE POWER UL/CSA SJT	1	
2	AL7-51-0226	SAFETY MANUAL	1	
2	AL7-51-0251	EXM-E3 INSTALLATION GUIDE	1	
2	AL7-55-0058	DVD ROM INSTALLATION MANUAL	1	
2	CB513S035	SEPARATE WALL	1	
2	CGAC35510AKA01	OUTER BOX	1	
2	CTAC35513AKA01	OUTER BOX	1	
2	EVA1504409	SPONGE 150X3X3	4	
2	GEAKA03	DISCOUNT VOUCHER	1	
2	LAC67YAH261	INDICATED LABEL(GREEN)	1	
2	LAP67YAH255	LABEL	5	
2	OPAC35AKA01	QUICK START MANUAL(EN)	1	
2	OPAC35AKA02	OPERATION MANUAL(EN)	1	
2	PE150350BO	POLYBAG	1	

2	PLAC3501	FOAMED(R)	1	
2	PLAC3502	FOAMED(L)	1	
2	SD600550	SOFT SHEET 600X550	2	
2	SD900900	SOFT SHEET 900X900	1	
1	PT151060101	KNOB PRINTING	1	73
2	PT1510601	JOG KNOB	1	
3	ABS5000	ABS MATERIAL	0.01	
1	PT151060202	SLIDER CAP(BLACK)	4	6
2	PT1510602	SLIDER CAP	4	
1	PT151060301	KNOB PRINTING	1	74
2	PT1510603	KNOB	1	
1	PT1510604	BUTTON PUSH B(6)(COOLGRAY 4C)	6	50
1	PT1520604	PANEL SIDE(L)	1	8
2	PM-PA727	ABS	103	
2	PM3373MB	COLOR RESIN	0.001	
1	PT1520605	SIDE CAP(R)	1	20
2	PM-PA727	ABS	103	
2	PM3373MB	COLOR RESIN	0.001	
1	PT1530107	PALM REST	1	54
2	PM-PA727	ABS	135	
2	PM3373MB	COLOR RESIN	0.001	
1	RU1504401	RUBBER MAT 8X8X4.0	1	1
1	RU1504402	RUBBER MAT 10*10*8.5	2	22
1	SC0306FIBI	SCREW M3*6MM PFB	2	105
1	SC0306PBBI	SCREW M3*6MM PPB TAPPING	79	12
1	SC0306RBNI	SCREW M3*6MM PRN TAPPING	8	24
1	SC0306RIBI	SCREW M3*6MM PRB	18	11
1	SC0306RICI	SCREW M3*6MM PRZ	8	42
1	SC0308FBBI	SCREW M3x8mm PFB Tapping	6	10
1	SC0308PBBI	SCREW M3x8mm PPB Tapping	16	55
1	SC0408BSBIL	ST BID40X08STL BZN	6	9
1	SC0410BIBIL	SCREW M4x8mm PBB	1	33
1	SC0425PIDI	SCREW M4x25mm PPZ	2	95
1	SC3506AIBI	SCREW M3.5x6 mm PFB	4	79
1	SPSHA33R4-058N	SWITCHING POWER	1	63
1	TWAA358632J3	POWER STICK BASE ASS'Y	1	28
2	AA358632J2	AC SOCKET	1	
2	CD60	Switch Power Push Single Row	1	
2	CN0100000902	CONNECTOR-YELLOW GREEN 1P 90mm	1	
2	DWAC11	Dual Isolation Cable BROWN 1P	1	
2	DWLB200801	Dual Isolation Cable BLUE/BROW	1	
2	HST050015BUL	HEAT-SHRINKABLE TUBE 5X15MM	5	
1	TWMT150431301	LCD ASS'Y	1	78
2	AA820655X	PROP 1 F.SCREW L=27	1	78-17
2	AA821800X	SHIELD LCD(1)	1	78-14

2	AA822276X	HOLDER LEVER	1	28764
2	AA822277X	LEVER	1	78-15
2	AA822279X	BUSH PANEL LCD	2	28703
2	AL9-44-0008-B	LCM UMS-8074MC-B	1	28611
2	CN2025403001	Flat Cable 20P(11P+9P) Pitch 2	1	78-18
2	EVA1504403	LCD SPONGE LONG	1	28642
2	EVA1504404	LCD SPONGE SHORT	2	28581
2	MT150431301	HOLDER LCD SPRAY PAINT PRINTNG	1	28795
2	PT150140601	LCD LENS	1	28522
3	PT1501406	LCD LENS	1	
2	PT150440701	LCD TOP COVER SPRAY PAINT	1	28491
3	PT1504407	LCD TOP COVER	1	
4	ABS5000	ABS MATERIAL	0.032	
4	PM3373MB	COLOR RESIN	0	
2	PT150440801	LCD BOTTOM SPRAY PAINT SPRAY P	1	28672
3	PT1504408	LCD BOTTOM COVER	1	
4	ABS5000	ABS MATERIAL	0.067	
4	PM3373MB	COLOR RESIN	0.001	
2	RU1504306	RUBBER MAT	2	78-13
2	SC0306PBBI	SCREW M3*6MM PPB TAPPING	6	28550
2	SC0306WIZIL	PAN30X06STL CMT POLY WAVE	3	28825
2	SC0308PBBI	SCREW M3x8mm PPB Tapping	6	28734
2	SP1504401	TORSION SPRING	1	78-16
2	TE522502001	Pin Header 90° 2.54mm Single	1	78-19
2	WS073307IC	WASHER FLAT	2	78-20
1	WR112820032W1	Isolation Cable 12P 200MM PITC	1	46
1	WR112825032W1	Isolation Cable 6P 250MM PITCH	1	47
1	WR112833032W1	Isolation Cable 3P 330MM PITCH	1	48
1	WS408604505B	WASHER EXTERNAL	1	25
1	WS663309IC	SPRING WASHER 3#	4	34
1	AL9-79-0407	MAIN PCB ASS'Y	1	
2	AL0-16-1001	RES 1K 1% SMD 0805	1	R40
2	AL0-16-1202	RES 12.0K 1% SMD 0805	1	R18
2	AL0-16-1273	RES 127K 1% SMD 0805	1	R39
2	AL0-16-1961	RES 1.96K 1% SMD 0805	1	R38
2	AL0-17-0102	RES ARRAY 4X1K	1	R131
2	AL0-17-0103	RES ARRAY 4X10K 1/10W 0603	6	R19,87,129,142,163,165
2	AL0-17-0472	RES ARRAY 4X4.7K 1/10W 0603	7	R12,15,28,54,73,75,112
2	AL0-17-2470	RES ARRAY 4X47 1/16W 0402	73	R5,6,48~53,56,57,59~70,76,78~81,83,84
				R86,88~103,105~111,115~119,128,132~140
				R144~148
2	AL1-08-0476	E.CAP 47UF/25V	4	C15,17,19,20
2	AL1-16-0823	E.CAP 820UF/6.3V	3	C12,13,21
2	AL1-55-0209	CCAP SMD 20pF/50V 5% 0805 NPO	2	C2,3
2	AL1-56-0105	CCAP SMD 1UF/10V 10% 0805 X7R	2	C6,7
2	AL1-56-0151	CCAP SMD 150PF/50V 5% 0805 NPO	1	C14
2	AL1-56-0221	CCAP SMD 220pF/100V 10% 0805 X	13	C22,25,27~31,34,35,40~42,45

2	AL1-62-0104	CCAP SMD 1UF/50V 10% 0603 X7	130	C4,8,9,23,24,26,32,33,36~39,43,44,46
				C47,49,51,53,54,56,57,59,62,64,66,67
				C70~73,75,77,80~98,102,103,105~112
				C114,116~127,129~134,136,138,141~146
				C148,150~189
2	AL1-70-1471	Solid Tantalum Electrolytic Ca	1	C48
2	AL1-70-3221	Solid Tantalum Electrolytic Ca	2	C63,115
2	AL1-71-3102	Solid Tantalum Electrolytic Ca	9	C60,61,65,99~101,104,113,128
2	AL2-50-4149	DIODE SIGNAL 1N4148 100V 200mA	2	D8,9
2	AL2-51-0140	DIODE POWER SCHOTTKY MBRS140LT	4	D1,5~7
2	AL2-51-4003	DIODE POWER 300V 1A SMA	3	D2~4
2	AL2-51-4401	TRANS NPN 2N4401 40V 1A SOT-23	2	Q1,2
2	AL2-56-0749	TRANS MED-POWER PNP FZT749 SOT	1	Q3
2	AL2-61-2517	REG VOLTAGE AP1117 1.5V SOT-22	1	U35
2	AL2-61-3463	IC REG VOLTAGE MC34063A ADJ 10	1	U32
2	AL2-61-5000	IC REG VOLTAGE NCP500SN25T1 2.	1	U10
2	AL2-62-0032	IC 74AHC32 QUAD 2-IN POS OR SO	1	U16
2	AL2-64-5245	IC 74LVC16245A 16-BIT BUS TRAN	7	U19,20,27,30,37~39
2	AL2-65-2017	IC 74LVC2G17 DUAL GATE SCHMITT	6	U1~3,7,26,28
2	AL2-65-2305	IC MPC962305 ZERO DELAY BUFFER	2	U18,33
2	AL2-69-1208	IC FLASH-ROM NAND-TYPE 64M x 8	1	U29
2	AL2-69-2416	IC EEPROM SERIAL 16K SOIC-8	1	U13
2	AL2-70-5249	IC MPU MCF5249 160-PIN BGA	1	U14
2	AL2-70-6713	IC MPU DSP TMS320C6713B 272-PI	1	U21
2	AL2-74-0181	IC OPTO-ISOLATOR TLP181 TRANS-	2	U4,5
2	AL2-78-0041	IC TIMER RTC SERIAL I2C M41T00	1	U9
2	AL2-79-1582	IC CONTROLLER USB 2.0 HI-SPEED	1	U6
2	AL2-79-3305	IC CONTROLLER RESET W/OVERRIDE	1	U15
2	AL2-80-0010	IC FPGA EP1C4F324C8 324-PIN BG	1	U24
2	AL2-84-8416	IC RECEIVER DIG AUDIO 192kHz C	1	U12
2	AL2-84-8421	IC SAMPLE RATE CONVERTER ASYNC	1	U11
2	AL4-00-0002	JACK DIN 5-PIN MIDI PCB MOUNT	6	J3~8
2	AL4-01-0013	JACK RCA DUAL 2-PIN FEMALE PCB	1	J1
2	AL4-08-0402	CON USB 4-PIN FEMALE PC-MNT HO	1	J9
2	AL4-11-0009	CON DIG OPTICAL TRANSMITTER	1	J2
2	AL4-15-0803	HEADER SIL 8-PIN 3.96mm MALE L	1	J16
2	AL4-20-0001	HEADER DIL 10-PIN 1mm FEMALE S	1	J17
2	AL4-20-0002	HEADER DIL 14-PIN 1mm FEMALE S	1	J12
2	AL4-20-0004	HEADER DIL 26-PIN 1mm FEMALE S	1	J13
2	AL4-20-4000	HEADER DIL 40-PIN .050 MALE SM	2	J14,15
C	AL4-21-2000	CON SIL 20-PIN FFC/FPC 0.5mm 9	1	J19
2	AL4-21-2800	CON SIL 28-PIN FFC/FPC 0.5mm 9	1	J21
2	AL4-21-3001	CON SIL 30-PIN FFC/FPC 1mm 90	1	J11
2	AL4-21-4500	CON SIL 45-PIN FFC/FPC 0.5mm 9	1	J10
2	AL4-21-5000	CON SIL 50-PIN FFC/FPC 0.5mm 9	1	J18
2	AL7-01-0043	OSCILLATOR 33.8688 MHz 3.3V SM	1	U17
2	AL7-01-0045	CRYSTAL 32.768 KHz PARALLEL 12	1	X2
2	AL7-01-0046	CRYSTAL 12 MHz PARALLEL 18pF S	1	X1
2	AL7-01-0049	OSCILLATOR 25 MHz 3.3V SMD	1	U8
2	AL7-05-0003	BATTERY 3V LITHIUM COIN-TYPE P	1	B1
2	AL7-20-0067	INDUCTOR 33uH 1.8A SMD	1	L2
2	AL7-20-0070	INDUCTOR FERRITE BEAD 120 OHMS	1	L1
2	AL7-33-0103	IC FILTER EMI SMD CHIP 2A 50V	1	E1

2	AL7-40-8865	TRANSFORMER 1-10 mHz PULSE 1:1	1	T1
2	AL9-40-0407	PCB MAIN AC35	1	-
2	AL9-61-0173	PROGRAMMED IC(2-69-3920)	1	U31
3	AL2-69-3920	IC FLASH-ROM 128Kx16 70nS TSOP	1	
2	CS102J5003NPO	CCAP SMD 1000PF/50V 5% 0603 NP	2	C10,11
2	CS102J5003X7R	CCAP SMD 1000pF/50V 10% 0603 X	10	C74,76,78,79,135,137,139,140,147,149
2	CS103K5003X7R	CCAP SMD 0.01UF/50V 10% 0603 X	6	C50,52,55,58,68,69
2	CS223K5005X7R	CCAP SMD 0.022UF/50V 10% 0603	1	C5
2	ICAIC1117-18PY	REG IC AIC1117-18PY SOT-223	1	U36
2	ICK4S641632E	IC SDRAM K4S641632K-UC75 TSSOP	3	U22,23,25
2	M0104420	FRAME	1	-
2	MT1301807	GROUND PLATE	1	(J1)
2	RS00018J05	RES 0Ω 5% SMD 0805	14	R9,11,27,149,153~160,162,166
2	RS01018J05	RES 1Ω 5% SMD 0805	5	R122~126
2	RS10218J05	RES 1K 5% SMD 0805	9	R30,33,35,36,121,,130,150,152,164
2	RS10318J05	RES 10K 5% SMD 0805	21	R2,7,8,14,20,22,23,25,26,29,32,43,45~47
				R55,71,72,85,104,113
2	RS12118J05	RES 120Ω 5% SMD 0805	2	R120,151
2	RS15218J05	RES 1.5K 5% SMD 0805	1	R24
2	RS22118J05	RES 220Ω5% SMD 0805	2	R10,16
2	RS30218J05	RES 3K 5% SMD 0805	1	R37
2	RS39118J05	RES 390Ω 5% SMD 0805	2	R3,4
2	RS47018J05	RES 47Ω 5% SMD 0805	6	R44,58,74,77,114,143
2	RS47118J05	RES 470Ω 5% SMD 0805	3	R13,21,82
2	RS47318J05	RES 47K 5% SMD 0805	4	R17,41,42,161
2	RS75018J05	RES 75 5% SMD 0805	1	R1
2	SC0306RICI	SCREW M3*6MM PRZ	1	-
1	AL9-79-0414A	QLINK PCB ASS'Y	1	
2	AA415015J	Switch Tact Stem Height:4.3mm,	2	S49,50
2	AA822377X	POT ROTARY B10K*2 RD14K12D L=2	8	R4,12,13,15,18,20~22
2	AA822423X	POT ROTARY B10K*2 RF45112P6 L	4	R26~28,40
2	AL0-17-0103	RES ARRAY 4X10K 1/10W 0603	1	R45
2	AL0-17-0472	RES ARRAY 4X4.7K 1/10W 0603	4	R47,49,50,52
2	AL1-08-0222	E.CAP 22UF/16V(MINI)	2	C54,77
2	AL1-56-0103	CCAP SMD 0.01UF/50V 10% 0805 X	16	C56~71
2	AL1-56-0104	CCAP SMD 1UF/50V 10% 0805 X7	41	C3,12,16,19,20,22,24~27,29~33,36,38,40
				C42~53,55,72~76,78~82
2	AL1-56-0222	CCAP SMD 2200pF/50V 5% 0805 NP	1	C9
2	AL2-51-4401	TRANS NPN 2N4401 40V 1A SOT-23	6	Q13,14,23,26~28
2	AL2-51-4403	TRANS PNP 2N4403 40V 800mA SOT	2	Q10,12
2	AL2-54-0138	TRANS SMALL-SIGNAL N-CHAN EN-M	1	Q11
2	AL2-61-7808	IC REG VOLTAGE NJM78L08 8V 100	1	U13
2	AL2-72-0339	IC LM339 ANALOG COMP SOP-14	3	U7,12,16
2	AL2-73-4052	IC CD4052 DIFFERENTIAL 4-CHAN	4	U4,11,14,15
2	AL3-02-0080	LED AMBER L-169XSYDK	12	D48~59
2	AL4-21-1300	CON SIL 13-PIN FFC/FPC 0.5mm 9	1	(J3)
2	AL4-21-2000	CON SIL 20-PIN FFC/FPC 0.5mm 9	1	(J6)
2	BALE48201-5A	LED FIXED 1.5MM	12	(D48~59)
2	FCN1S1002001	CON SIL 20-PIN FFC/FPC 1.0mm 1	1	(J10)
2	RS00018J05	RES 0Ω 5% SMD 0805	1	R51
2	RS10118J05	RES 100Ω 5% SMD 0805	1	R42
2	RS10318J05	RES 10K 5% SMD 0805	1	R41

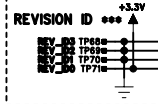
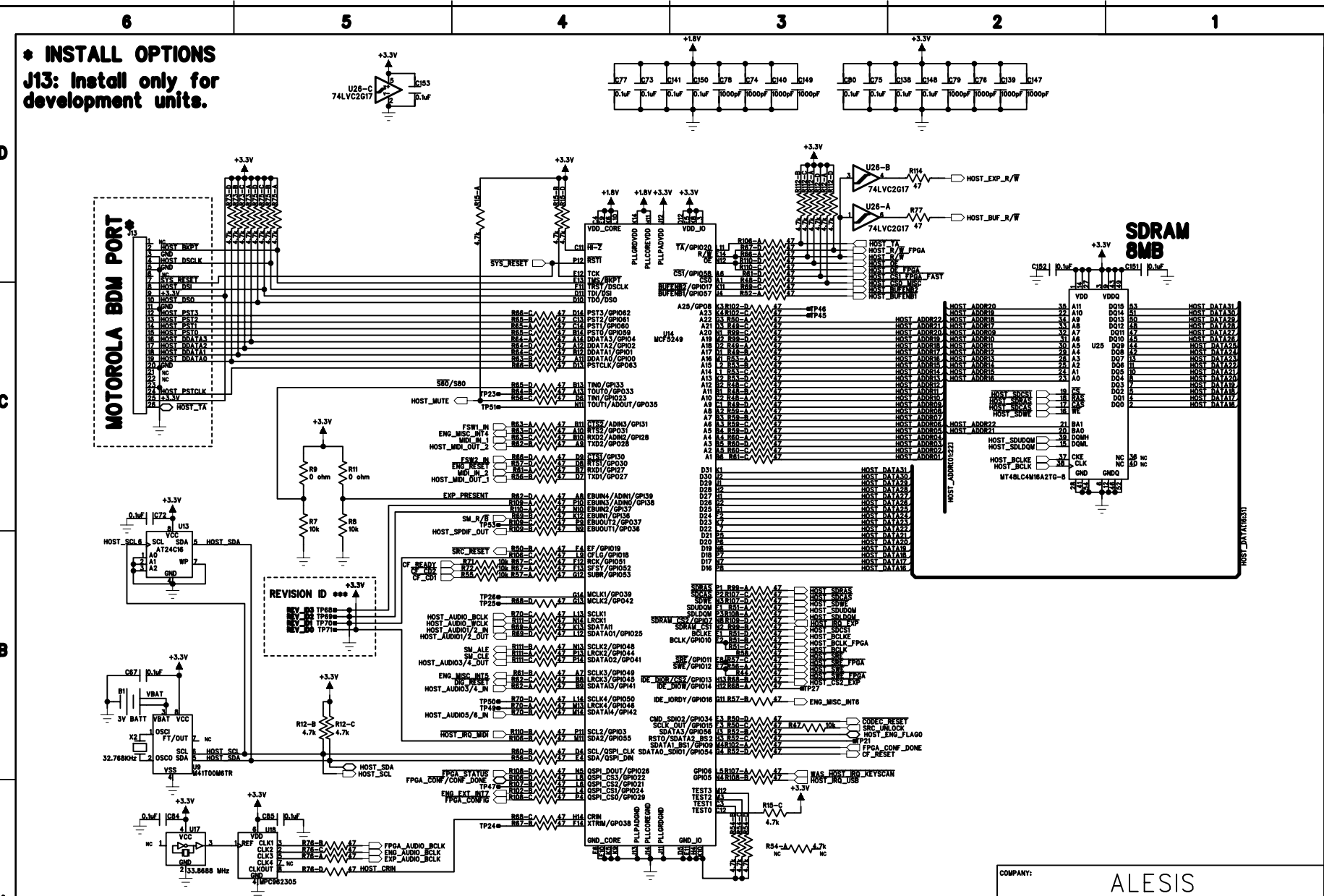
2	RS24218J05	RES 2.4K 5% SMD 0805	1	R8
2	SWSKRGAE010	Switch Tact 5mm 160gf Horizontal DIP	12	S52~63
2	TE10200602	Pin Header 90° Pitch:2.00mm S	1	(J20)
1	AL9-79-0414B	SELECT PCB ASS'Y	1	
2	AA822378X	LED L-169XQWC-C WHITE	1	D63
2	AL0-09-1090	POT 10KB SINGLE 9mm SERRATED 2	1	R33
2	BALE48201-5A	LED FIXED 1.5MM	1	(D63)
2	RS00018J05	RES 0Ω 5% SMD 0805	1	R74
2	RS20318J05	RES 20K SMD 0805	1	R73
2	SWSKRGAE010	Switch Tact 5mm 160gf Horizontal DIP	7	S51,64,67~71
2	TE552541201	Pin Header 90° Pitch:2.54mm D	1	J8
1	AL9-79-0414C	DVD PCB ASS'Y	1	
2	AA822781X	Female Header 180° Pitch:0.8	1	J23
2	AL1-56-0104	CCAP SMD 1UF/50V 10% 0805 X7	2	C101,102
2	AL4-14-4001	HEADER DIL 40-PIN 1 MALE SHR	1	J22
2	TE622000201	Pin Header 90° Pitch:2.00mm S	1	J24
1	AL9-79-0415	FRONT PANEL PCB ASS'Y	1	
2	AA822374X	SOCKET CFHP-A9-0034 50P	1	J10
2	AA822406X	CF CARD ENJECTOR L=22mm	1	(J10)
2	AL0-17-0103	RES ARRAY 4X10K 1/10W 0603	2	R3,6
2	AL1-56-0104	CCAP SMD 1UF/50V 10% 0805 X7	4	C35,36,39,40
2	AL4-02-0006	JACK 1/4 MONO 5-PIN FEM MINI W	2	J6,7
2	AL4-02-0007	JACK 1/4 STEREO 7-PIN FEM MINI	1	J14
2	AL4-21-4500	CON SIL 45-PIN FFC/FPC 0.5mm 9	1	(J24)
2	AL9-40-0415	PCB FRONT PANEL AC35	1	-
2	CS102K5005X7R	CCAP SMD 1000PF/50V 10% 0805 X	2	C41,42
2	NUT0102IID	NUT HEX M2	2	(J10)
2	RS10218J05	RES 1K 5% SMD 0805	2	R130,132
2	RS10418J05	RES 100K 5% SMD 0805	4	R4,5,7,8
2	SC0206RINI	SCREW M2*6MM PPN	2	(J10)
2	TE622000302	Pin Header 90° Pitch:2.00mm S	1	(J1)
1	AL9-79-0416	ANALOG PCB ASS'Y	1	
2	AA822757X	TRANS 2SC3326 SMD SC-59	12	Q13~24
2	AL0-16-1002	RES 10K 1% SMD 0805	15	R71,84,87,100,105,114~116,124,125,136 R167,173,176,177
2	AL0-16-1401	RES 1.4K 1% SMD 0805	23	R9~18,23,28,68~70,73,74,85,86,88,89 R175,178
2	AL0-16-1651	RES 1.65K 1% SMD 0805	22	R21,22,43,44,57,58,91,92,95,96,101~104 R145~148,151~154
2	AL0-16-1780	RES 178Ω 1% SMD 0805	2	R98,99
2	AL0-16-4021	RES 4.02K 1% SMD 0805	2	R137,168
2	AL0-16-4751	RES 4.75K 1% SMD 0805	26	R25,26,39,40,42,45,76,79,80,83,90,93,94 R97,117,122,123,126,144,149,150,155,156 R159,160,163
2	AL0-16-6340	RES 634Ω 1% SMD 0805	6	R5,8,138,141,165,169
2	AL0-16-6813	RES 681K 1% SMD 0805	2	R19,20
2	AL0-16-7321	RES 7.32K 1% SMD 0805	9	R63,72,107,108,118~121,166
2	AL0-16-9099	RES 90.9Ω 1% SMD 0805	2	R142,170
2	AL1-07-0102	E.CAP 1000UF/6.3V	2	C85,86

2	AL1-12-0472	E.CAP 47UF/63V	4	C37~40
2	AL1-55-0221	CCAP SMD 220PF/100V 5% 0805 NP	20	C52~55,59~62,66,67,75,76,89~92,98~101
2	AL1-55-0272	CCAP SMD 2700PF/50V 5% 0805 NP	2	C65,73
2	AL1-55-0472	CCAP SMD 4700PF/50V 10% 0805 X	2	C4,7
2	AL1-56-0102	CCAP SMD 1000PF/100V 5% 0805 N	30	C13~22,27~36,44~47,82,83,104~107
2	AL1-62-0104	CCAP SMD 1UF/50V 10% 0603 X7	36	C23,24,43,51,56,57,69~72,74,79~81,87,95
				C96,102,108~111,113,114,116,120~122,128
				C129~13
2	AL1-62-0105	CCAP SMD 1UF/10V 10% 0603 X5R	9	C58,64,78,84,88,97,112,115,125
2	AL2-51-4401	TRANS NPN 2N4401 40V 1A SOT-23	22	Q1~12,25,27,28,30~34,36,39
2	AL2-51-4403	TRANS PNP 2N4403 40V 800mA SOT	5	Q26,29,35,37,38
2	AL2-61-5000	IC REG VOLTAGE NCP500SN25T1 2.	1	U10
2	AL2-61-7807	REG VOLTAGE LM340MP-5.0 +5V SO	1	U11
2	AL2-62-0014	IC 74AHC14 HEX SCHMITT-TRIGGER	2	U3,13
2	AL2-71-0072	IC TL072 DUAL OPAMP SOP-8	1	U7
2	AL2-71-0074	IC TL074 QUAD OPAMP SOP-14	1	U1
2	AL2-71-1510	IC OP-AMP SINGLE THAT1510 SOP-	2	U5,6
2	AL2-71-3079	IC MC33079 QUAD OP-AMP SOP-14	5	U2,4,8,9,15
2	AL2-75-4271	IC CODEC CS4271 STEREO 24-BIT	1	U12
2	AL2-75-4382	IC CONVERTER D/A 8-CHANNEL CS4	1	U14
2	AL4-05-0028	JACK XLR 3-PIN FEM STEREO-COMB	2	(J1,2)
2	AL4-15-3000	CON SIL 30-PIN FFC/FPC 1mm 90	1	(J17)
2	AL6-01-0012	SWITCH SLIDE DPDT 2MM	2	S1,2
2	AL9-40-0416	ANALOG PCB	1	-
2	CS101J5005NPO	CCAP SMD 100PF/50V 5% 0805 NPO	6	C1,2,48,49,93,118
2	CS152J5005NPO	CCAP SMD 1500PF/50V 5% 0805 NP	2	C5,6
2	CS471J5005NPO	CCAP SMD 470PF/50V 5% 0805 NPO	6	C9~12,94,119
2	DIZDMMBZ15ALSM	Zener Diode MMBZ15VALT1G 15V S	4	D1~4
2	EC47616TS	E.CAP 47UF/16V (MINI)	16	C3,8,25,26,41,42,50,63,68,77,103,117,123
				C124,126,127
2	JK-6314-01-340	1/4 PHONE JACK JY-6314-0F-340	10	J4~13
2	MT1301807	GROUND PLATE	1	(J3)
2	MT1501802	LUG SOLDER-XLR	1	(J2)
2	MT1501803	GROUND PLATE-JACK	2	(J5,12)
2	RJ103100-130A	JACK RCA DUAL 2-PIN FEMALE RED	1	J3
2	RS027418F05	RES 274Ω 1% SMD 0805	2	R171,172
2	RS04M308J05	RES 4.3M 5% SMD 0805	1	R106
2	RS10118J05	RES 100Ω 5% SMD 0805	6	R1,4,64~67
2	RS140218F05	RES 14.0K 1% SMD 0805	16	R77,78,81,82,109~112,132~135,157,158,161,162
2	RS22118J05	RES 220Ω 5% SMD 0805	23	R29~38,47~56,75,113,174
2	RS47018J05	RES 47Ω 5% SMD 0805	7	R127~131,143,164
2	RS47318J05	RES 47K 5% SMD 0805	6	R2,3,59~62
2	RS562218F05	RES 56.2K 1% SMD 0805	2	R6,7
2	RS62018J05	RES 62Ω 5% SMD 0805	4	R24,27,41,46
2	TE10200601	CONNECTPin Header 180° Pitch:	1	(J15)
2	TE612000301	Pin Header 180° Pitch:2.00mm	1	(J14)
2	TE612001201	Pin Header 180° Pitch:2.00mm	1	(J16)
1	AL9-79-0417			
2	AL0-17-0103	RES ARRAY 4X10K 1/10W 0603	3	R24,73,83
2	AL0-17-0104	RES ARRAY 4X100K 1/10W 0603	1	R74
2	AL0-17-0470	RES ARRAY 4X47 1/10W 0603	8	R114~121
2	AL0-17-0472	RES ARRAY 4X4.7K 1/10W 0603	2	R6,61

2	AL0-17-0680	RES ARRAY 4X68 1/10W 0603	10	R36,37,40,41,51,97~100,112
2	AL0-17-2470	RES ARRAY 4X47 1/16W 0402	32	R1,2,23,25~27,29~33,58~60,70,72,75~81
				R84~91,93
2	AL1-07-0102	E.CAP 1000UF/6.3V	2	C5,7
2	AL1-16-0823	E.CAP 820UF/6.3V	3	C2~4
2	AL1-56-0151	CCAP SMD 150PF/50V 5% 0805 NPO	1	C1
2	AL1-60-2222	E.CAP 22UF/16V SMD	1	C6
2	AL1-62-0104	CCAP SMD 1UF/50V 10% 0603 X7	111	C8,11,13~18,21~35,37~43,45,48~55,57,59
				C60~62,65~70,73~84,86,87,90,92~101,104
				C105~114,116~127,129,131~142
2	AL1-70-3221	Solid Tantalum Electrolytic Ca	4	C12,56,71,128
2	AL1-71-3102	Solid Tantalum Electrolytic Ca	18	C9,10,19,20,36,44,46,47,58,63,64,72,85
				C88,89,91,115,130
2	AL2-51-0140	DIODE POWER SCHOTTKY MBRS140LT	3	D1,2,6
2	AL2-51-4003	DIODE POWER 300V 1A SMA	3	D3~5
2	AL2-56-0749	TRANS MED-POWER PNP FZT749 SOT	1	Q1
2	AL2-61-2517	REG VOLTAGE AP1117 1.5V SOT-22	1	U11
2	AL2-61-3463	IC REG VOLTAGE MC34063A ADJ 10	1	U3
2	AL2-65-2017	IC 74LVC2G17 DUAL GATE SCHMITT	3	U7,13,14
2	AL2-65-2305	IC MPC962305 ZERO DELAY BUFFER	2	U15,16
2	AL2-66-3216	IC SDRAM 4Mb x 16 x 4 BANK 3.3	4	U5,6,18,19
2	AL2-70-6713	IC MPU DSP TMS320C6713B 272-PI	2	U4,9
2	AL2-80-0010	IC FPGA EP1C4F324C8 324-PIN BG	1	U12
2	AL4-14-4002	HEADER DIL 40-PIN 1 MALE SHR	2	(J2,9)
2	AL4-15-0803	HEADER SIL 8-PIN 3.96mm MALE L	1	(J6)
2	AL4-20-0001	HEADER DIL 10-PIN 1mm FEMALE S	1	(J4)
2	AL4-20-0002	HEADER DIL 14-PIN 1mm FEMALE S	2	(J1,3)
2	AL4-20-4000	HEADER DIL 40-PIN .050 MALE SM	2	(J7,8)
2	AL4-21-5001	CON SIL 50-PIN FFC/FPC 0.5mm 1	1	(J5)
2	AL7-01-0049	OSCILLATOR 25 MHz 3.3V SMD	2	U1,8
2	AL7-20-0067	INDUCTOR 33uH 1.8A SMD	1	L1
2	AL7-33-0103	IC FILTER EMI SMD CHIP 2A 50V	2	E1,2
2	AL9-40-0417	PCB EXPANSON DIGITAL AC35	1	-
2	CS102J5003NPO	CCAP SMD 1000PF/50V 5% 0603 NP	2	C102,103
2	RS00018J05	RES 0Ω 5% SMD 0805	4	R14,28,122,123
2	RS01018J05	RES 1Ω 5% SMD 0805	5	R18~22
2	RS10218J05	RES 1K 5% SMD 0805	12	R3,4,10,12,13,15,17,56,63,65,66,82
2	RS10318J05	RES 10K 5% SMD 0805	11	R5,8,9,35,39,57,62,67,69,94,96
2	RS10418J05	RES 100K 5% SMD 0805	1	R71
2	RS12118J05	RES 120Ω 5% SMD 0805	1	R16
2	RS47218J05	RES 4.7K 5% SMD 0805	2	R46,106
2	RS56218J05	RES 5.6K 5% SMD 0805	2	R42,101
2	RS68018J05	RES 68Ω 5% SMD 0805	10	R38,44,45,48,53,95,103,104,107,110
2	RS68218J05	RES 6.8K 5% SMD 0805	2	R50,109
2	RS82018J05	RES 82Ω 5% SMD 0805	10	R43,47,49,52,54,102,105,108,111,113
1	AL9-79-0432A	CONTROL PCB ASS'Y	1	
2	AA415015J	Switch Tact Stem Height:4.3mm,	6	S3,4,8,12,41,42
2	AA812086J	LED GREEN L-934SGD	1	D12
2	AA812087J	LED RED L-934SRD-G	2	D4,8
2	AA822352X	Switch Rotational Encode 24Pul	1	S13
2	AL0-17-0101	RES ARRAY 4X100 1/10W 0603	2	R16,17
2	AL0-17-0103	RES ARRAY 4X10K 1/10W 0603	4	R9,11,43,48

2	AL0-17-0221	RES ARRAY 4X220 1/10W 0603	2	R1,2
2	AL1-56-0102	CCAP SMD 1000PF/100V 5% 0805 N	2	C4,5
2	AL1-56-0104	CCAP SMD 1UF/50V 10% 0805 X7	7	C1,6,7,11,13,15,18
2	AL2-51-4401	TRANS NPN 2N4401 40V 1A SOT-23	6	Q1,15,25,29~31
2	AL2-51-4403	TRANS PNP 2N4403 40V 800mA SOT	9	Q6~9,18~21,24
2	AL2-56-5592	TRANS MED-POWER NPN 2SC5592 SO	4	Q2~5
2	AL2-62-0000	IC 74AHC00 QUAD 2-IN POS NAND	1	U2
2	AL2-62-0032	IC 74AHC32 QUAD 2-IN POS OR SO	1	U1
2	AL2-62-0138	IC 74AHC138 3-8 DECODER/DEMUX	1	U3
2	AL2-62-0541	IC 74AHC541 OCTAL BUFFERS/DRIV	2	U8,9
2	AL2-62-0574	IC 74AHC574 OCTAL D FF W/TRI-S	2	U5,10
2	AL3-02-0079	LED AMBER DIFFUSED L-934SYDK T	1	D3
2	AL3-02-0080	LED AMBER L-169XSYDK	8	D1,2,5~7,9~11
2	AL4-21-1300	CON SIL 13-PIN FFC/FPC 0.5mm 9	1	(J18)
2	AL4-21-2800	CON SIL 28-PIN FFC/FPC 0.5mm 9	1	(J9)
2	BALE48201-5A	LED FIXED 1.5MM	12	(D1~12)
2	EC22616TS	E.CAP 22UF/16V(MINI)	4	C14,17,21,83
2	EC22716TS	E.CAP 220UF/16V(MINI)	1	C10
2	RS00018J05	RES 0Ω 5% SMD 0805	2	R31,32
2	RS10318J05	RES 10K 5% SMD 0805	10	R15,18,20~25,29,30
2	RS13018J05	RES 13Ω 5% SMD 0805	9	R3,6,10,14,19,35,37,44,54
2	RS20218J05	RES 2K 5% SMD 0805	2	R34,53
2	RS22118J05	RES 220Ω 5% SMD 0805	1	R76
2	RS68118J05	RES 680Ω 5% SMD 0805	2	R46,67
2	SWSKRGAE010	Switch Tact 5mm 160gf Horizontal DIP	35	S1,2,5~7,9~11,15~22,24~40,43,44
2	TE622000201	Pin Header 90° Pitch:2.00mm S	2	(J1)
2	TE622000401	Pin Header 90° Pitch:2.00mm S	1	(J4)
2	TE622000901	Pin Header 90° Pitch:2.00mm S	1	(J2A)
2	TE622001101	Pin Header 90° Pitch:2.00mm S	1	(J2B)
2	TE952541201	Pin Header 90° Pitch:2.54mm D	1	(J5)
1	AL9-79-0432B	VOLUME PCB ASS'Y	1	
2	AL0-09-0008	POT 10KA DUAL	1	R162
2	AL0-09-0083	POT 10KB DUAL VERT 15mm D-SHAF	1	P1
2	AL0-16-1002	RES 10K 1% SMD 0805	2	R58,60
2	CN0220000503	Flat Cable 2P Pitch 2.00mm Sin	1	(J15)
2	EC47616TS	E.CAP 47UF/16V (MINI)	4	C86,96,98,104
2	SWSKD22	Switch Slide 2P2T	1	S14
2	SWSKRGAE010	Switch Tact 5mm 160gf Horizontal DIP	1	S23
2	TE10200602	Pin Header 90° Pitch:2.00mm S	1	J12
2	TE622001201	Pin Header 90° Pitch:2.00mm S	1	J7
2	TE812000211	Pin Header 180° Pitch:2.00mm	1	J15
1	AL9-79-0432C	SYNTH PCB ASS'Y	1	
2	AL3-02-0080	LED AMBER L-169XSYDK	1	D45
2	BALE48201-5A	LED FIXED 1.5MM	1	(D45)
2	CN0620000501	Flat Cable 6P Pitch 2.00mm Sin	1	(J21)
2	SWSKRGAE010	Switch Tact 5mm 160gf Horizontal DIP	3	S48,65,66
2	TE812000611	Pin Header 180° Pitch:2.00mm	1	J21

◆ **INSTALL OPTIONS**
J13: Install only for
development units.



REVISION ID ***

	REV_ID3 GP138	REV_ID2 GP137	REV_ID1 GP1018	REV_ID0 GP1055
REV 1	0	0	0	0
REV A	0	0	0	1
REV B	0	0	1	0
REV C	0	0	1	1
...
REV P	1	1	1	1

COMPANY: **ALESIS**

TITLE: **AC35 MAIN PCB
HOST LOCAL BUS**

PART NUMBER: **9-40-0407-A**

ASSY NUMBER: **9-79-0407-A-0**

FILENAME: **AC35MNA03A.SCH**

SCALE: _____

SHEET: 1 of 5

DRAWN: **SCHMANSKI**

RELEASED: _____

DATED: **21 MAR 2007**

DATED: _____

SIZE: **C**

6

5

4

3

2

1

D

C

B

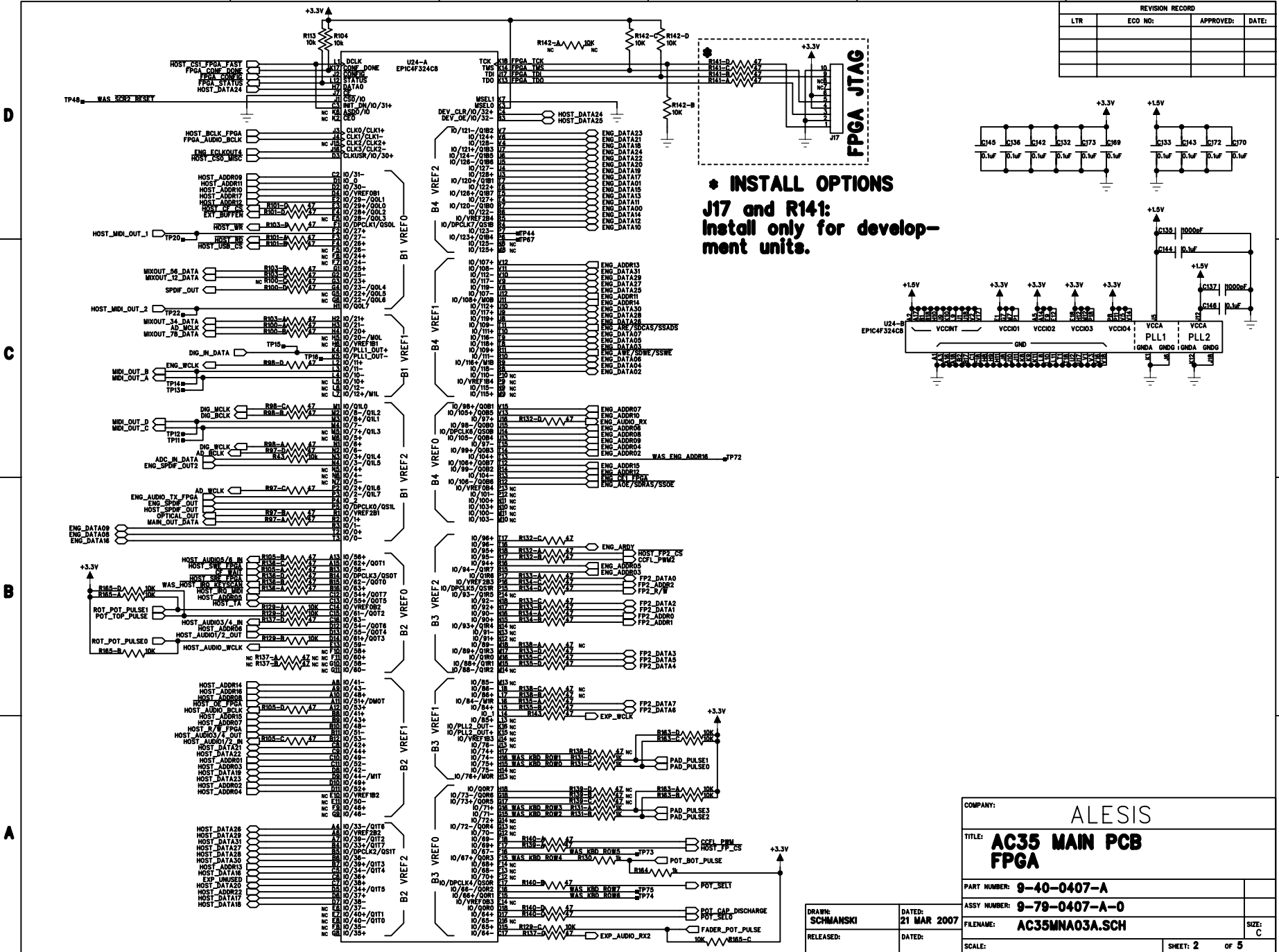
A

D

C

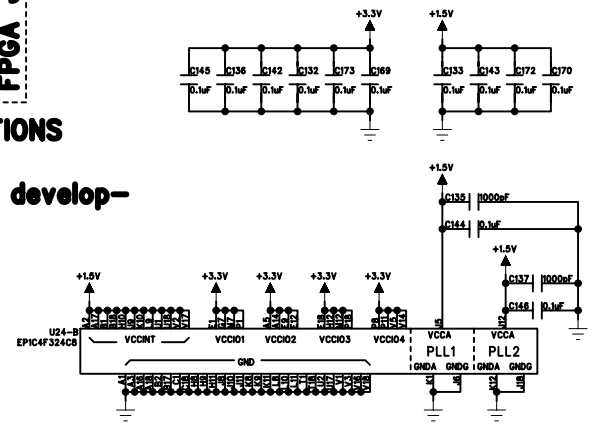
B

A



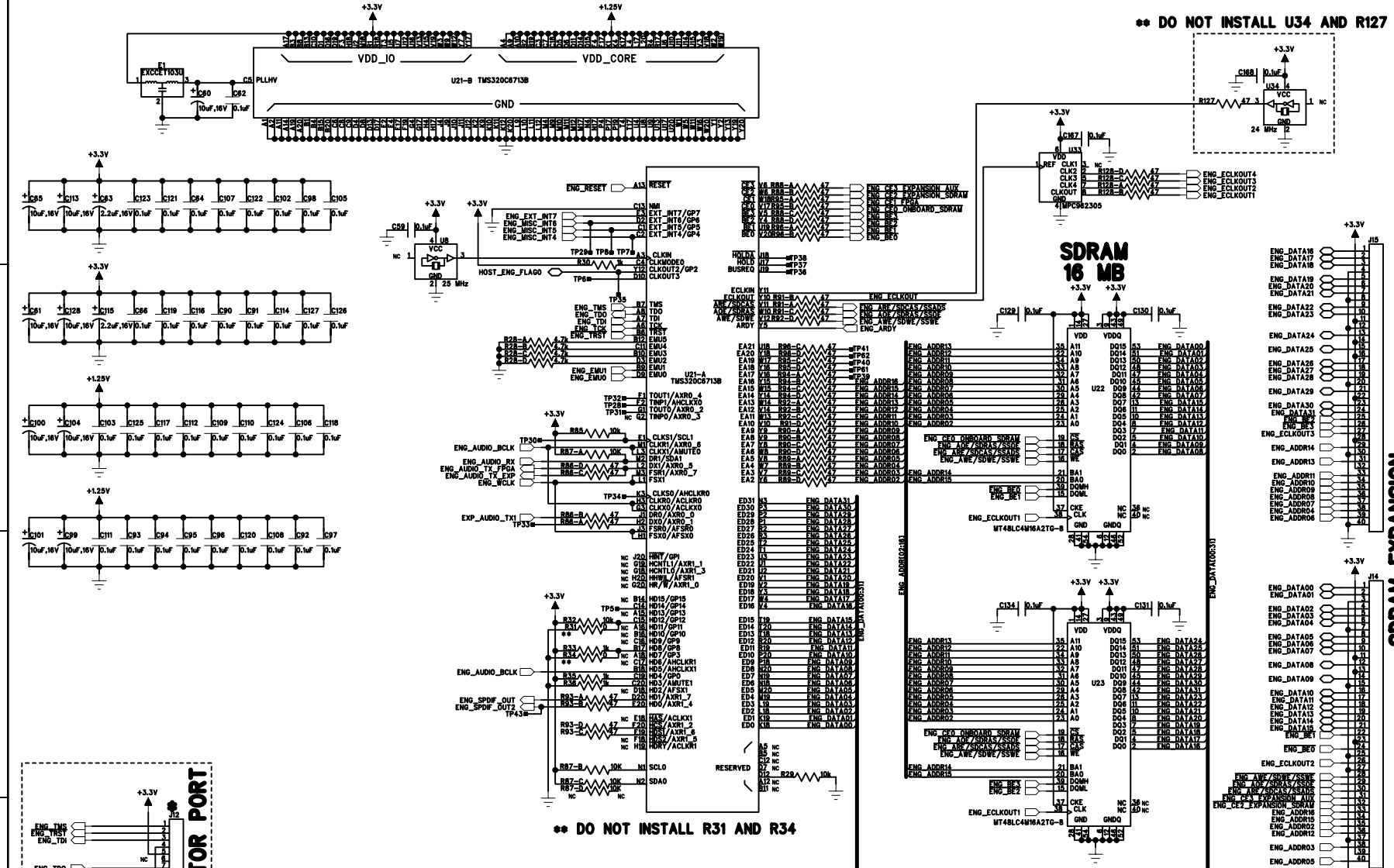
REVISION RECORD			
LTR	ECO NO:	APPROVED:	DATE:

• INSTALL OPTIONS
J17 and R141:
 Install only for development units.



COMPANY:		ALESIS	
TITLE:		AC35 MAIN PCB FPGA	
PART NUMBER:		9-40-0407-A	
ASSY NUMBER:		9-79-0407-A-0	
DRAWN:		FILENAME: AC35MNA03A.SCH	
RELEASED:		SCALE:	
DATED: 21 MAR 2007		SHEET: 2 of 5	

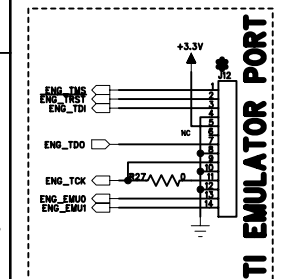
DRAWN:	DATED:
SCHMANSKI	21 MAR 2007
RELEASED:	DATED:



** DO NOT INSTALL U34 AND R127

** DO NOT INSTALL R31 AND R34

SDRAM EXPANSION

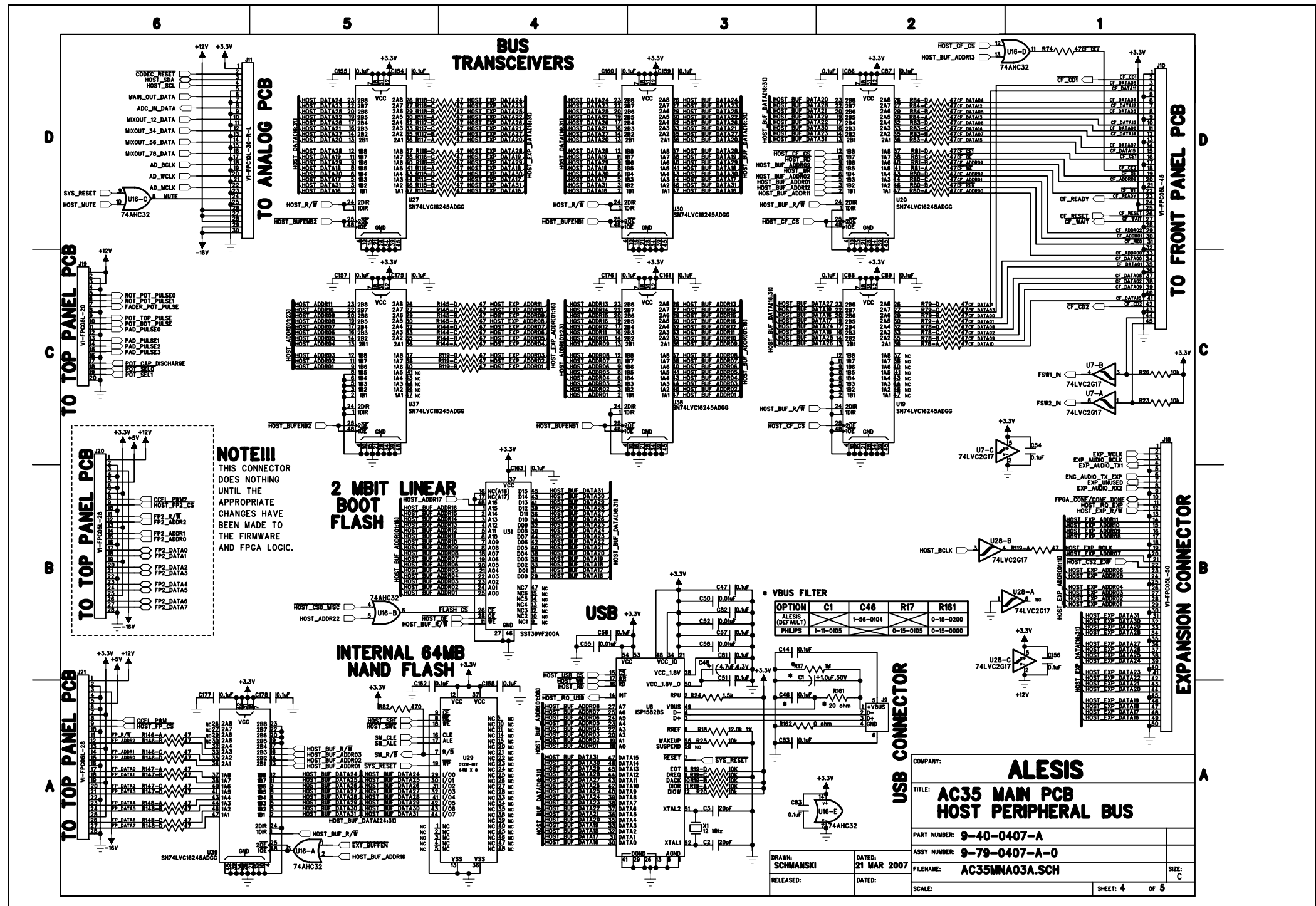


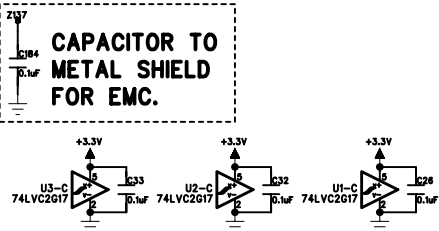
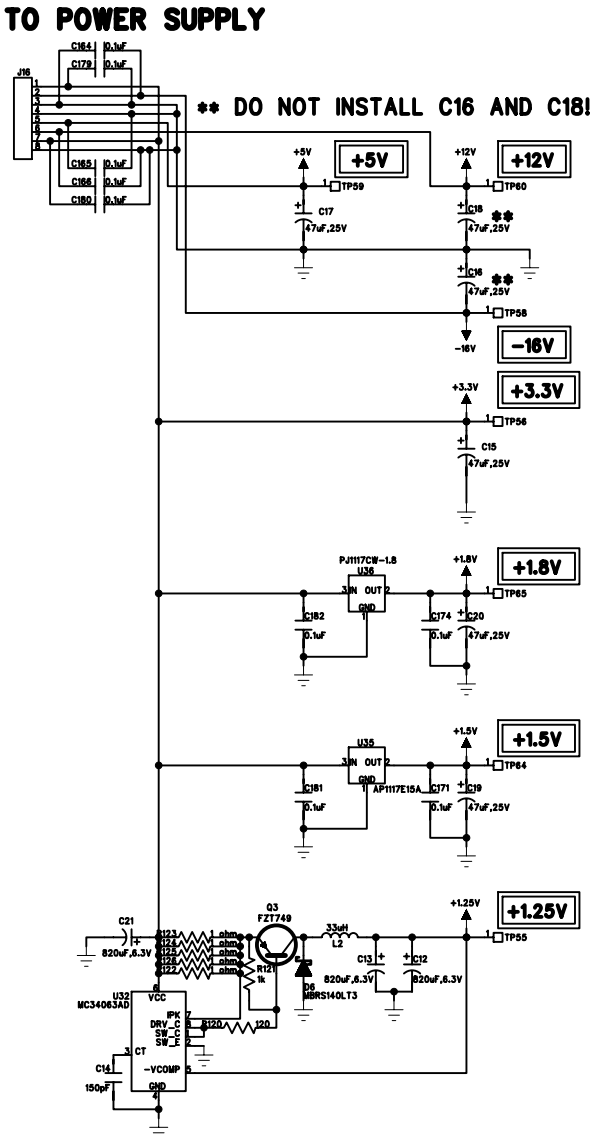
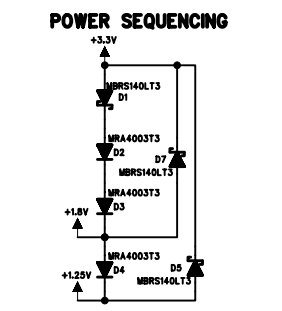
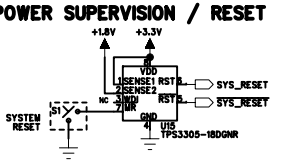
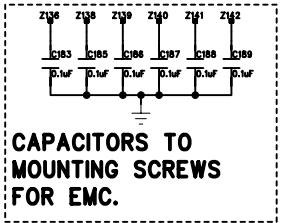
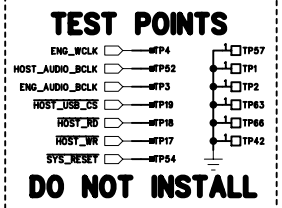
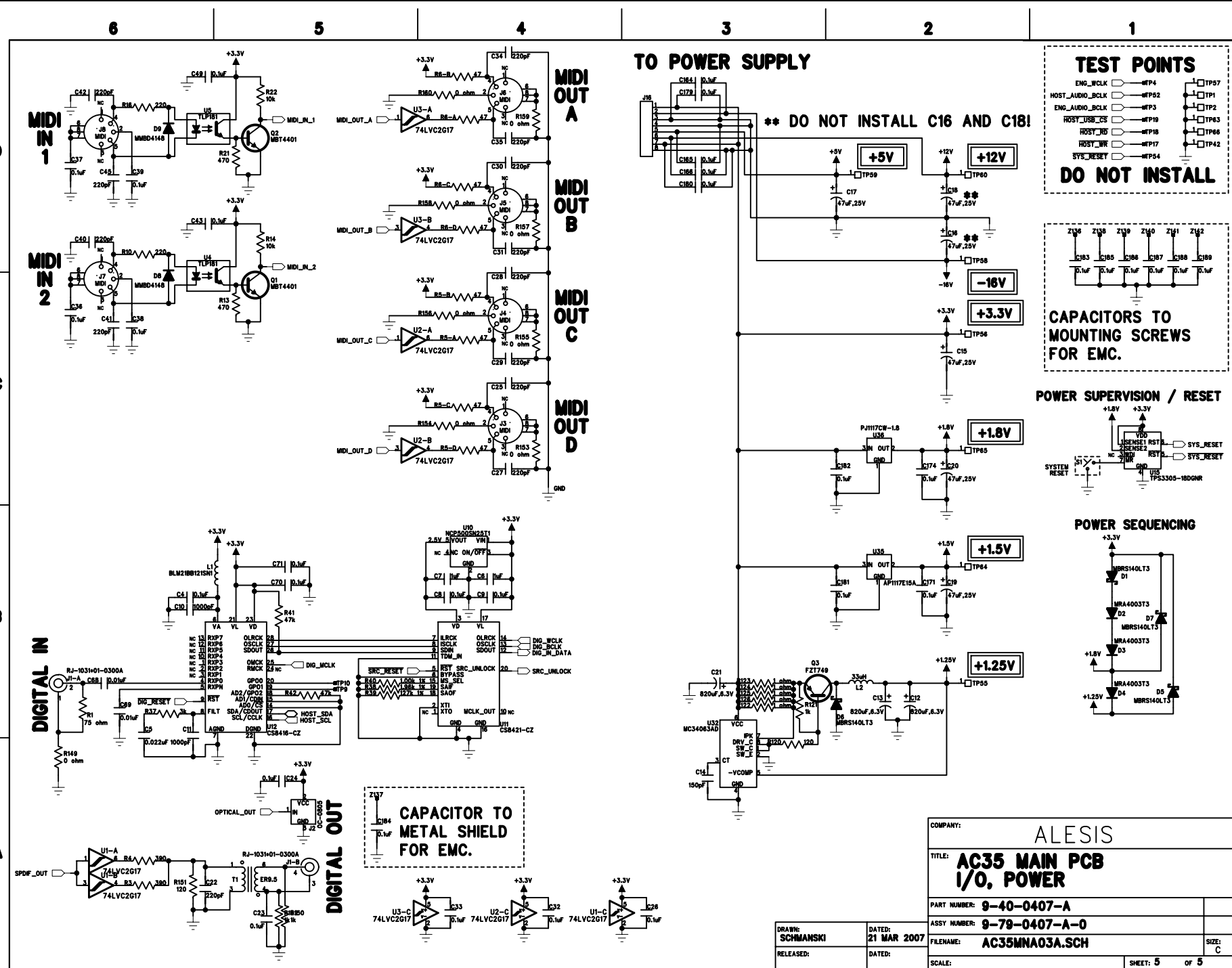
*** INSTALL OPTIONS**
J13, R27: Install for
development units only.

COMPANY: ALESIS			
TITLE: AC35 MAIN PCB DSPs			
PART NUMBER: 9-40-0407-A			
ASSY NUMBER: 9-79-0407-A-0			
FILENAME: AC35MNA03A.SCH			
SCALE:		SHEET: 3 OF 5	

DRAWN: SCHMANSKI	DATED: 21 MAR 2007
RELEASED:	DATED:

A





COMPANY: **ALESIS**

TITLE: **AC35 MAIN PCB I/O, POWER**

PART NUMBER: **9-40-0407-A**

ASSY NUMBER: **9-79-0407-A-0**

FILENAME: **AC35MNA03A.SCH**

SCALE: _____ SHEET: **5** OF **5**

DRAWN: **SCHMANSKI**

RELEASED: _____

DATED: **21 MAR 2007**

DATED: _____

D

C

B

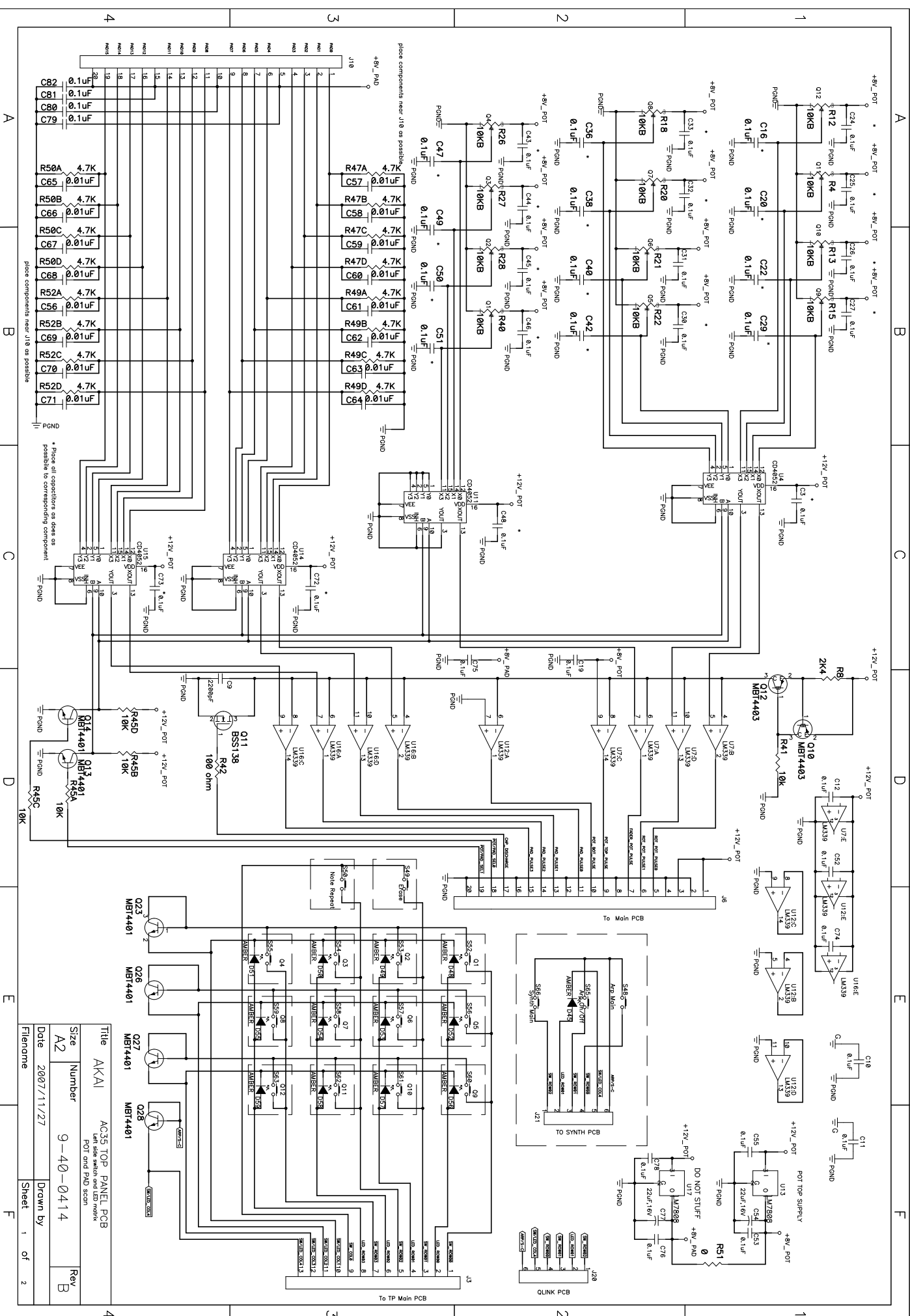
A

D

C

B

A

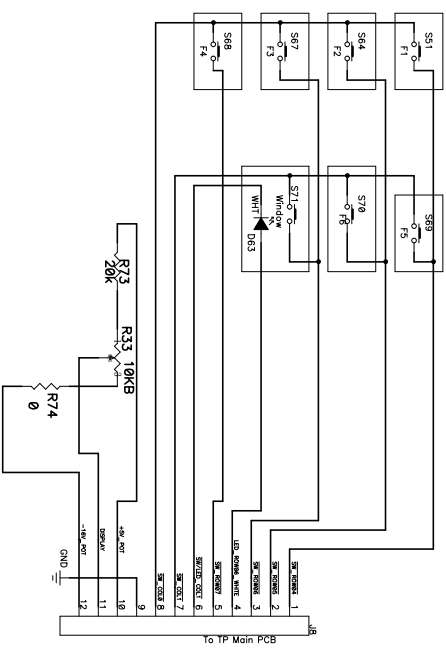


Title	AKAI	AC35 TOP PANEL PCB
Size	A2	Left side section and LED matrix
Number	9-40-0414	POT and PWD section
Rev	B	
Date	2007/11/27	
Filename		
Drawn by		
Sheet	1	of 2

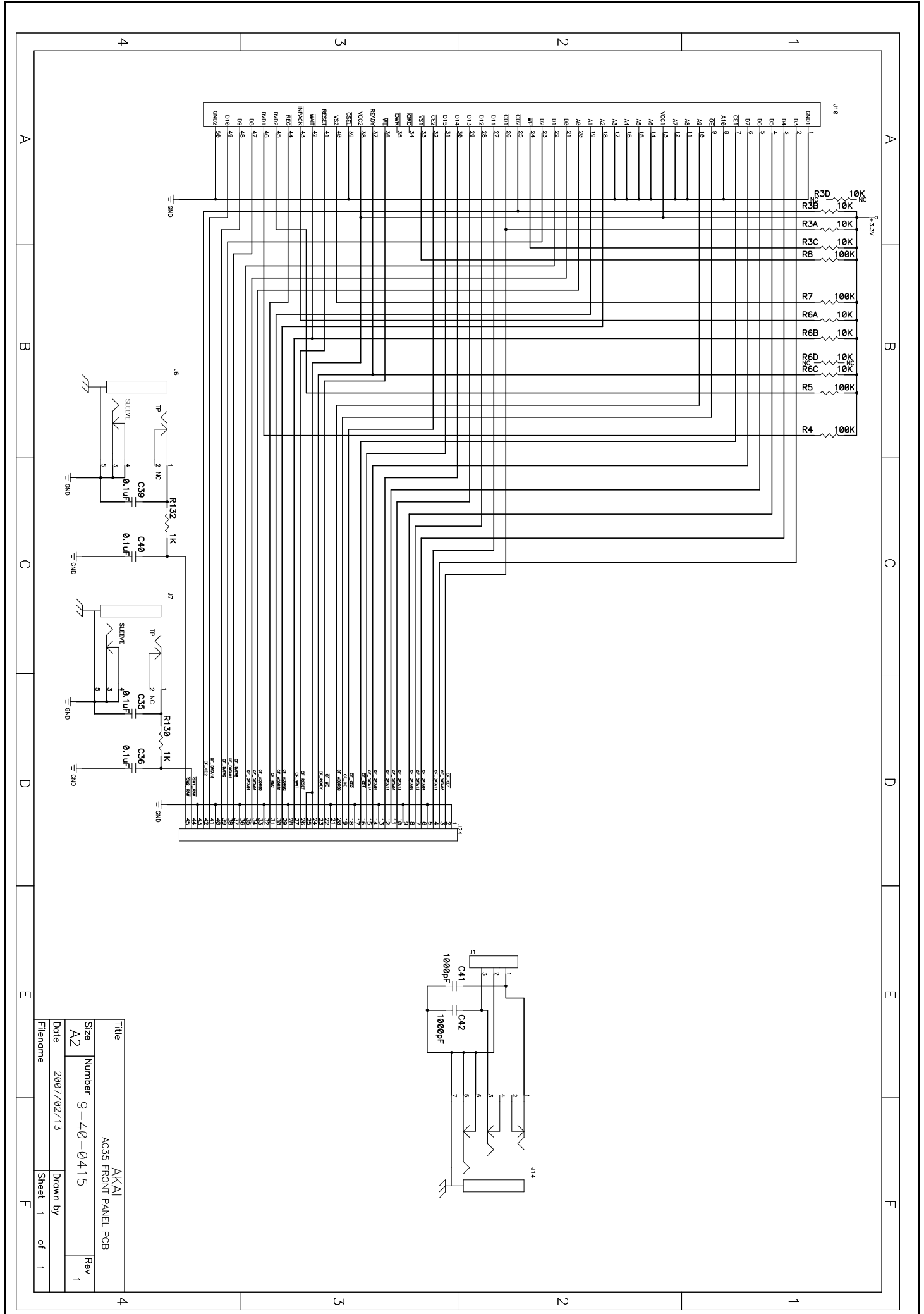
place components near J10 as possible

place components near J10 as possible

place all capacitors as close as possible to corresponding component

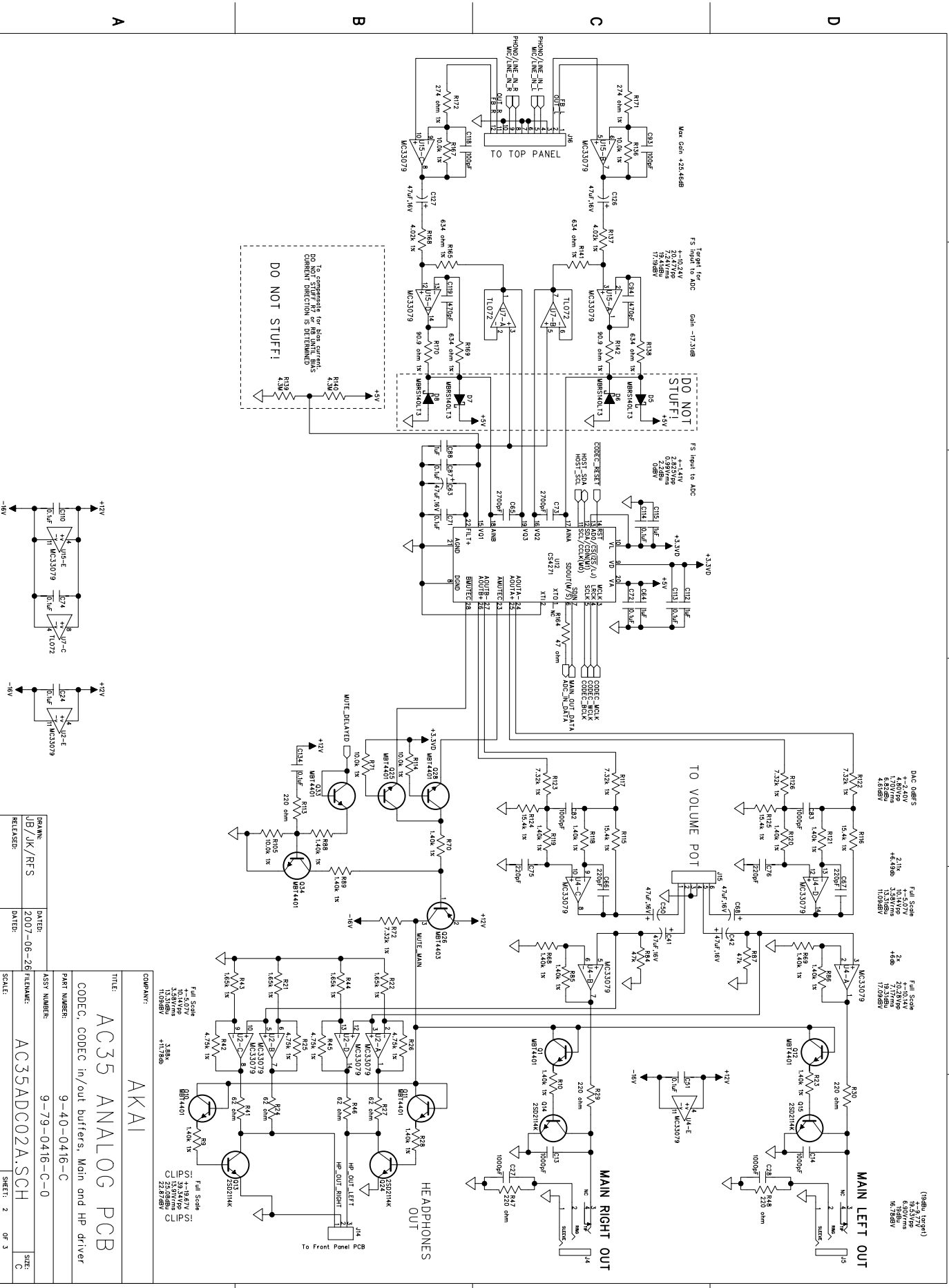


Title		AKA1	
AQ35 TOP PANEL PCN1		Soft button switch and LED driver	
Size	Number	9-40-0414	Rev B
A2			
Date	2007/11/27		Drawn by
Filename			Sheet 2 of 2



GN01	1	of ADAMS
D3	2	of ADAMS
D4	3	of ADAMS
D5	4	of ADAMS
D6	5	of ADAMS
D7	6	of ADAMS
D8	7	of ADAMS
D9	8	of ADAMS
D10	9	of ADAMS
D11	10	of ADAMS
D12	11	of ADAMS
D13	12	of ADAMS
D14	13	of ADAMS
D15	14	of ADAMS
D16	15	of ADAMS
D17	16	of ADAMS
D18	17	of ADAMS
D19	18	of ADAMS
D20	19	of ADAMS
D21	20	of ADAMS
D22	21	of ADAMS
D23	22	of ADAMS
D24	23	of ADAMS
D25	24	of ADAMS
D26	25	of ADAMS
D27	26	of ADAMS
D28	27	of ADAMS
D29	28	of ADAMS
D30	29	of ADAMS
D31	30	of ADAMS
D32	31	of ADAMS
D33	32	of ADAMS
D34	33	of ADAMS
D35	34	of ADAMS
D36	35	of ADAMS
D37	36	of ADAMS
D38	37	of ADAMS
D39	38	of ADAMS
D40	39	of ADAMS
D41	40	of ADAMS
D42	41	of ADAMS
D43	42	of ADAMS
D44	43	of ADAMS
D45	44	of ADAMS
D46	45	of ADAMS
D47	46	of ADAMS
D48	47	of ADAMS
D49	48	of ADAMS
D50	49	of ADAMS
D51	50	of ADAMS

Title	AKAI AC35 FRONT PANEL PCB	
Size	Number	Rev
A2	9-40-0415	1
Date	2007/02/13	Drawn by
Filename	Sheet 1	of 1



IRRAW: JB/JK/RFS	DATE: 2007-06-26	FILENAME: AC35ADDC02A.SCH	SHEET: 2
RELEASED:	DATE:	SCALE:	OR 3

TITLE: AC35 ANALOG PCB
COMPANY: AKAI
CODEC: CODEC in/out buffers, Main and HP driver
PART NUMBER: 9-40-0416-C
ASSY NUMBER: 9-79-0416-C-0

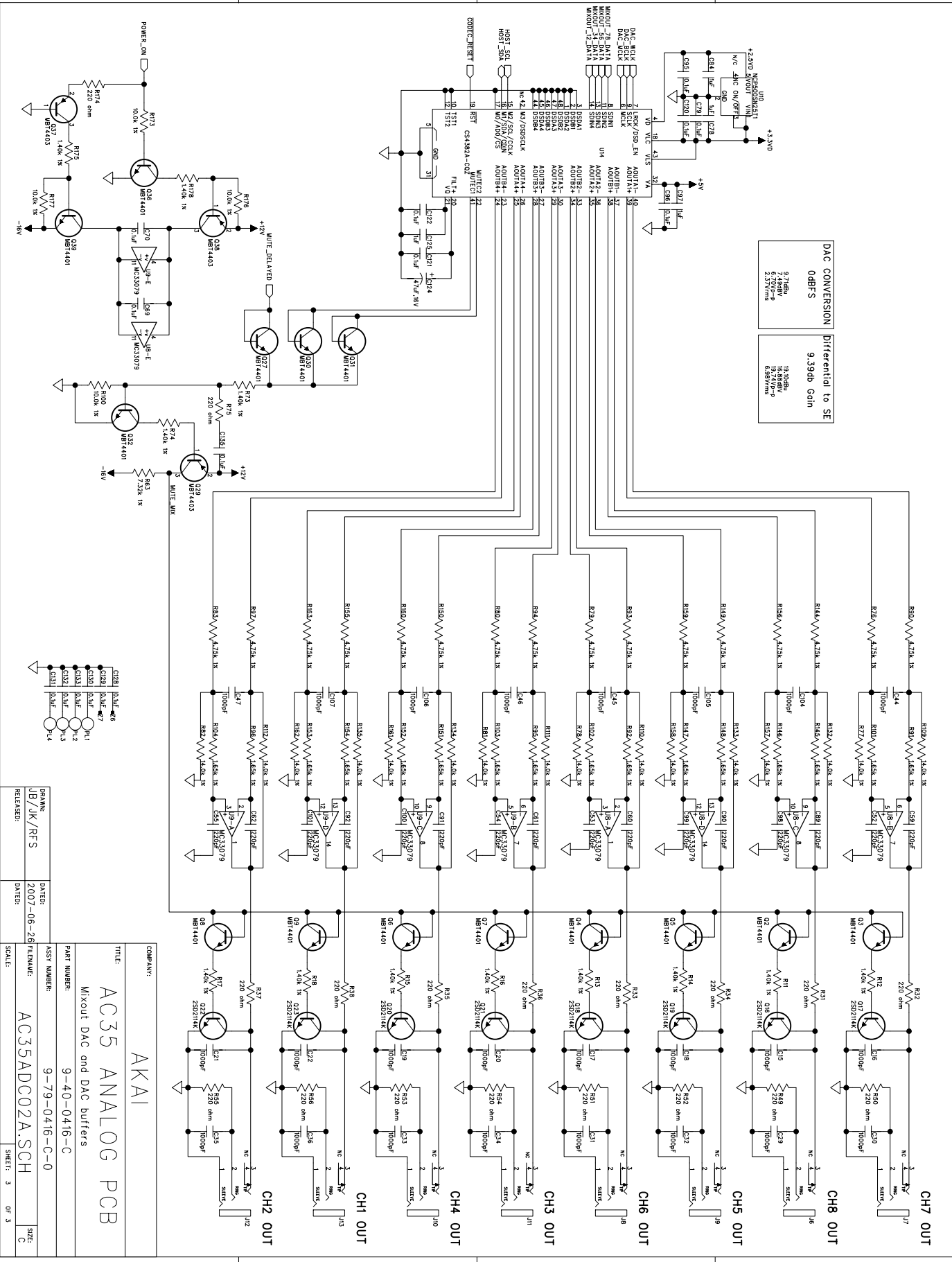
Full Scale
 +5.07V
 -5.07V
 15.3dBV
 15.3dBV
 15.3dBV

Full Scale
 +1.867V
 -1.867V
 23.9dBV
 23.9dBV
 23.9dBV

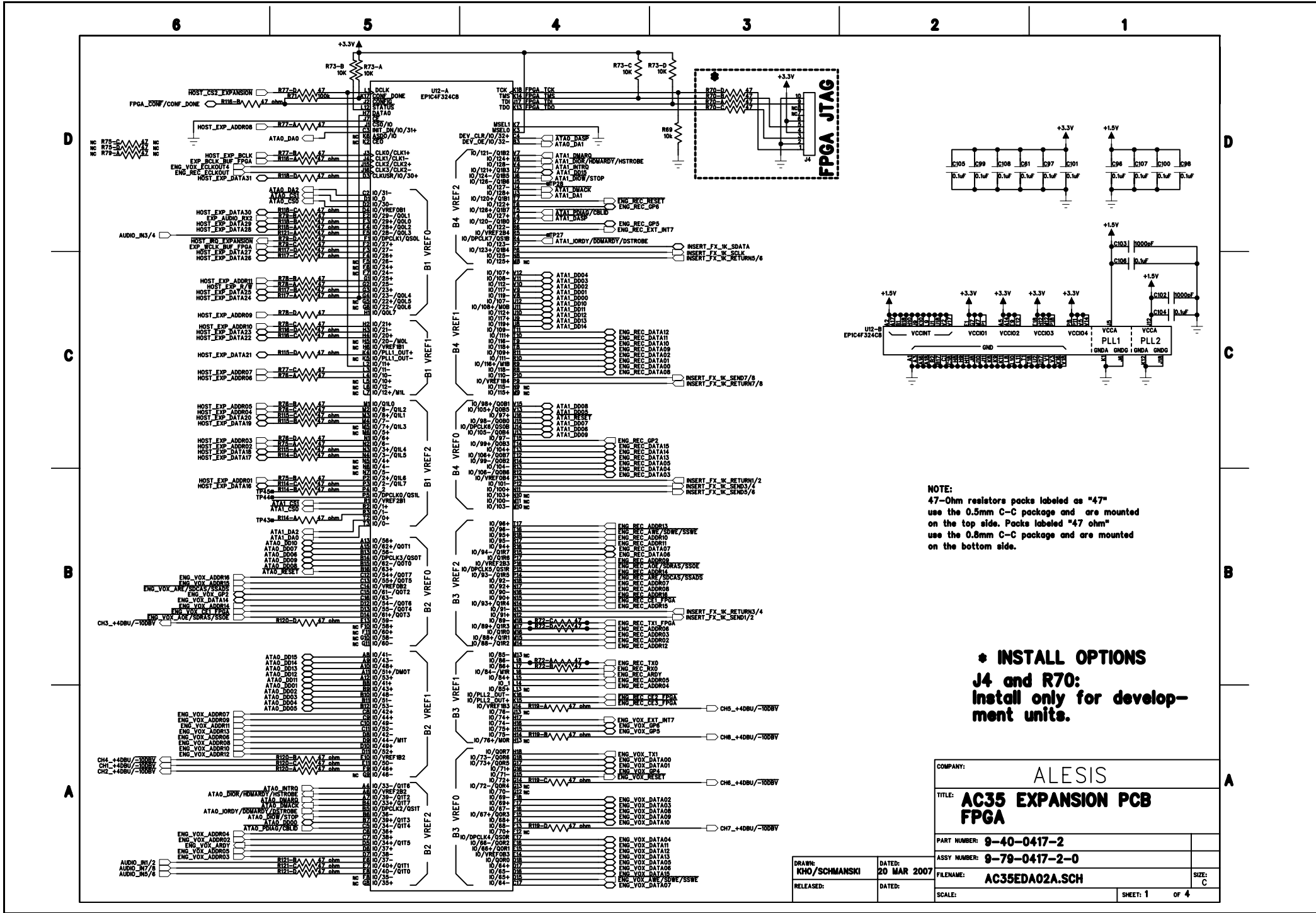
DAC CONVERSION
0dBFS
9.39dB Gain

9.74dB
7.44dB
5.10V_{rms}
3.5V_{rms}

19.08dB
16.98dB
14.64V_{rms}
9.54V_{rms}



COMPANY:	AKAI
TITLE:	AC35 ANALOG PCB
DESCRIPTION:	Mixout DAC and DAC buffers
PART NUMBER:	9-40-0416-C
ASSY NUMBER:	9-79-0416-C-0
FILENAME:	AC35ADDC02A.SCH
SCALE:	SHEET: 3 OF 3
DATE:	2007-06-26
RELEASED:	
JB/JK/RFS	
DATE:	
RELEASED:	
DATE:	
RELEASED:	

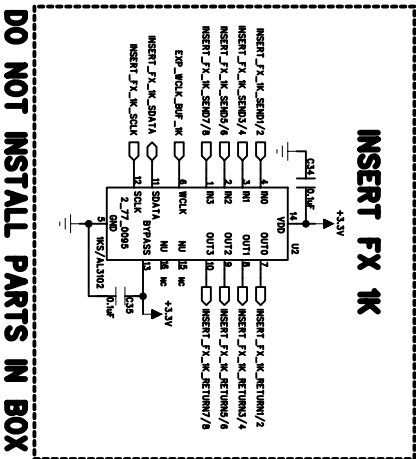
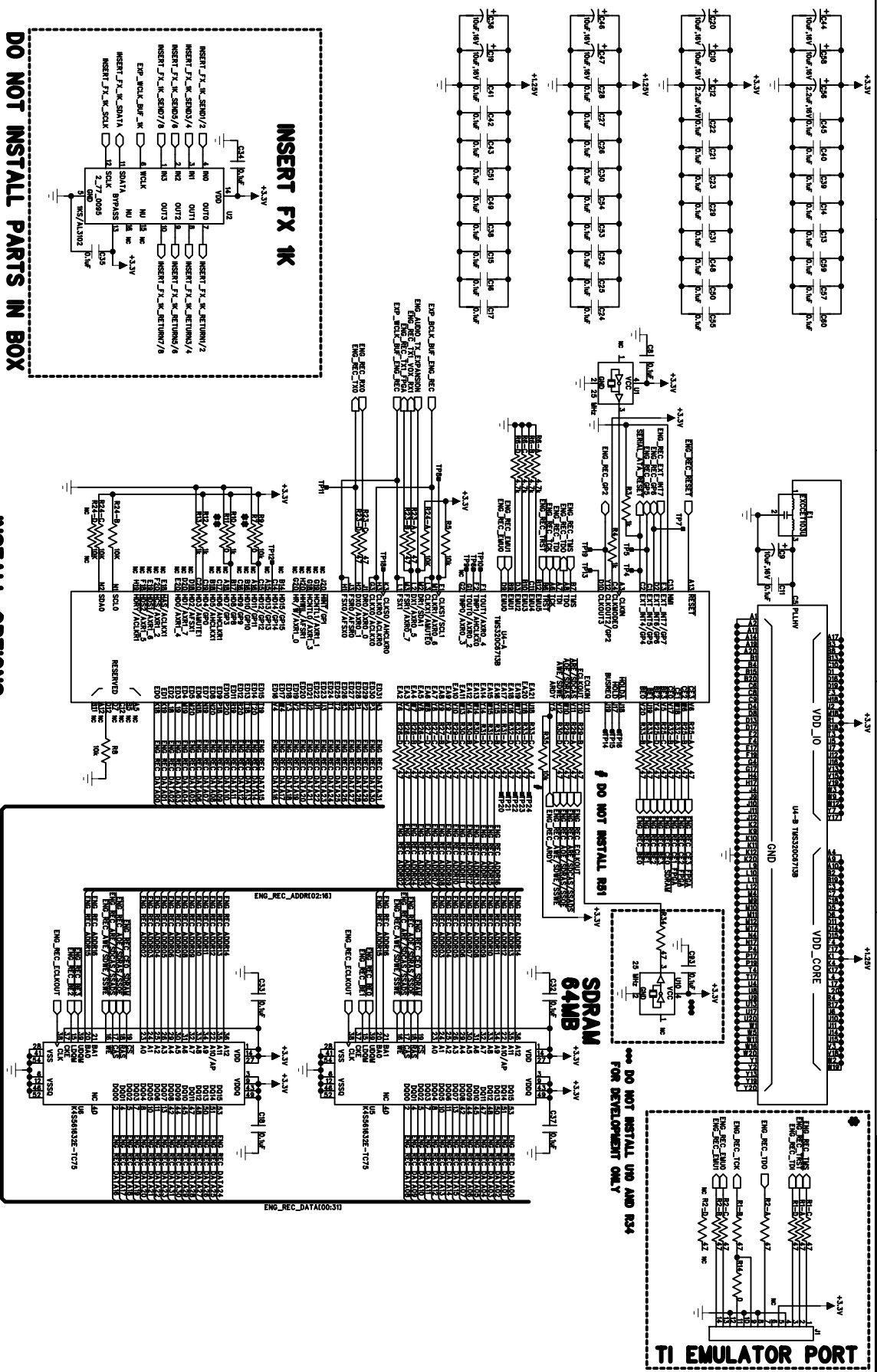


NOTE:
 47-Ohm resistors packs labeled as "47"
 use the 0.5mm C-C package and are mounted
 on the top side. Packs labeled "47 ohm"
 use the 0.8mm C-C package and are mounted
 on the bottom side.

*** INSTALL OPTIONS**
J4 and R70:
 Install only for develop-
 ment units.

COMPANY:	ALESIS		
TITLE:	AC35 EXPANSION PCB FPGA		
PART NUMBER:	9-40-0417-2		
ASSY NUMBER:	9-79-0417-2-0		
FILENAME:	AC35EDA02A.SCH		
SCALE:	SHEET: 1 of 4		

DRAWN:	KHO/SCHMANSKI	DATED:	20 MAR 2007
RELEASED:		DATED:	

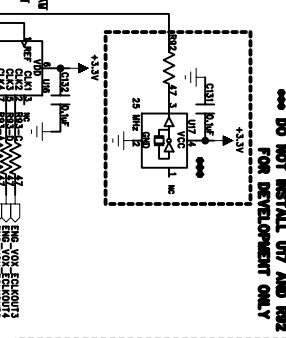
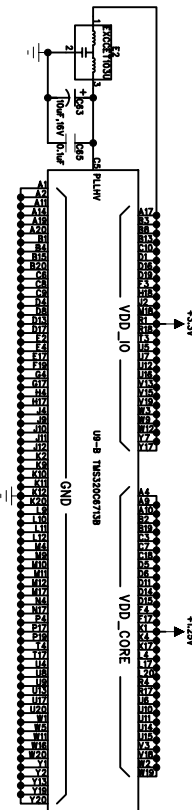


*** INSTALL OPTIONS**

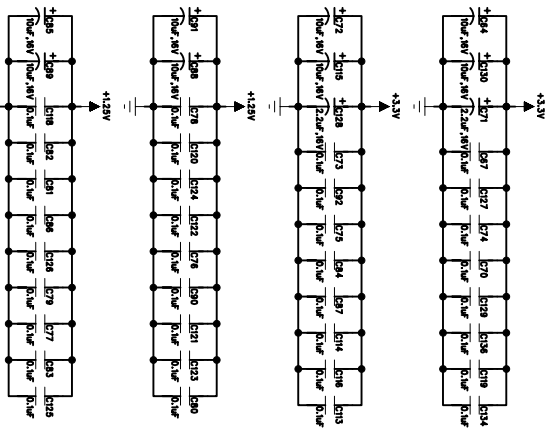
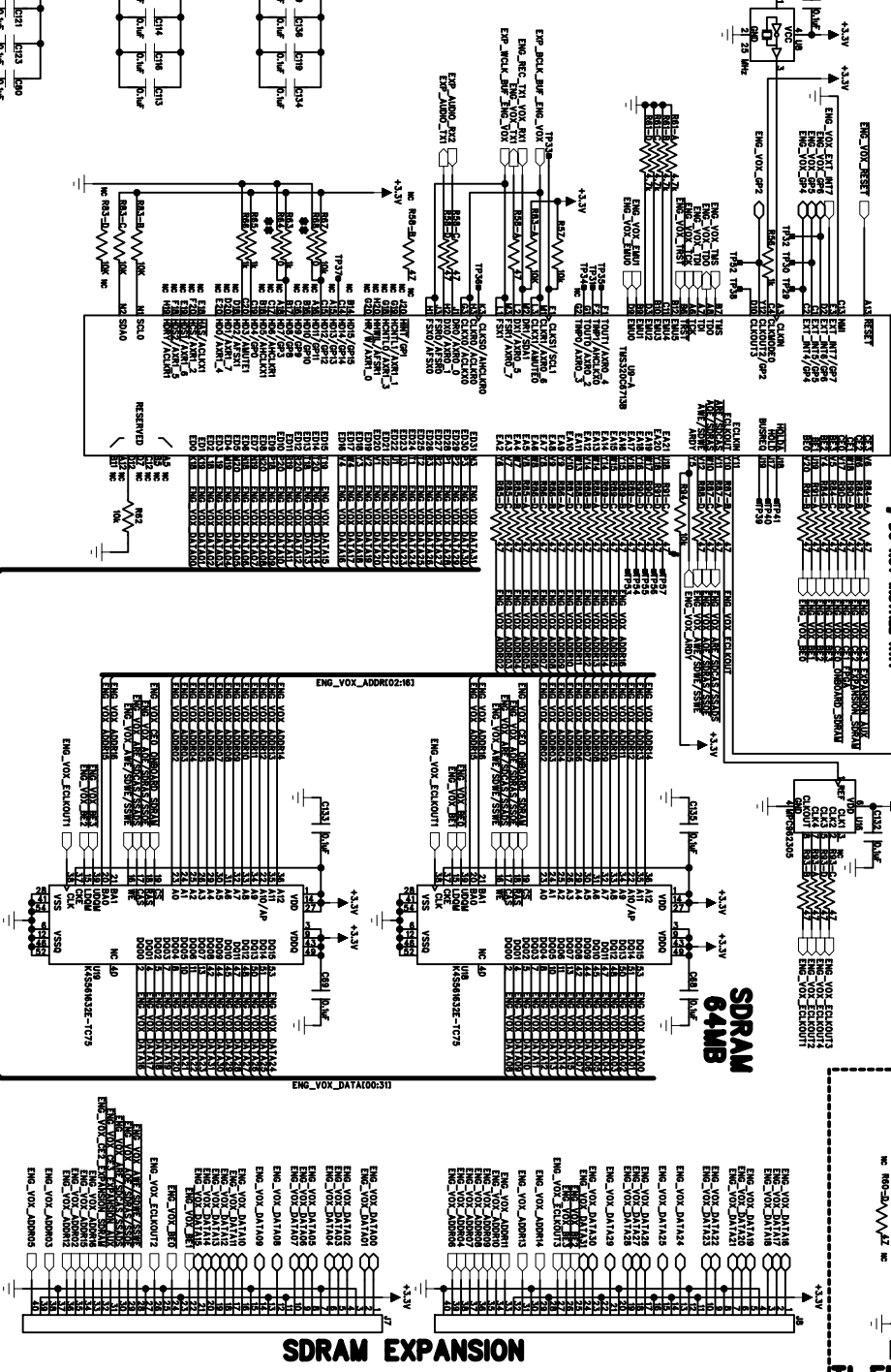
J1, R1-2, R14: install for development units only.
DO NOT STUFF
 R7 and R11 are for maintaining compatibility with the 6711 or the 6712D.

COMPANY: ALESIS	
TITLE: AC35 EXPANSION PCB RECORDING DSP	
PART NUMBER: 9-40-0417-2	ASSY NUMBER: 9-79-0417-2-0
DATE: 20 MAR 2007	FILENAME: AC35EDA02A.SCH
DESIGNED: KNO/SCHWANSKI	RELEASED:
SCALE:	SHEET: 2 of 4

6 5 4 3 2 1

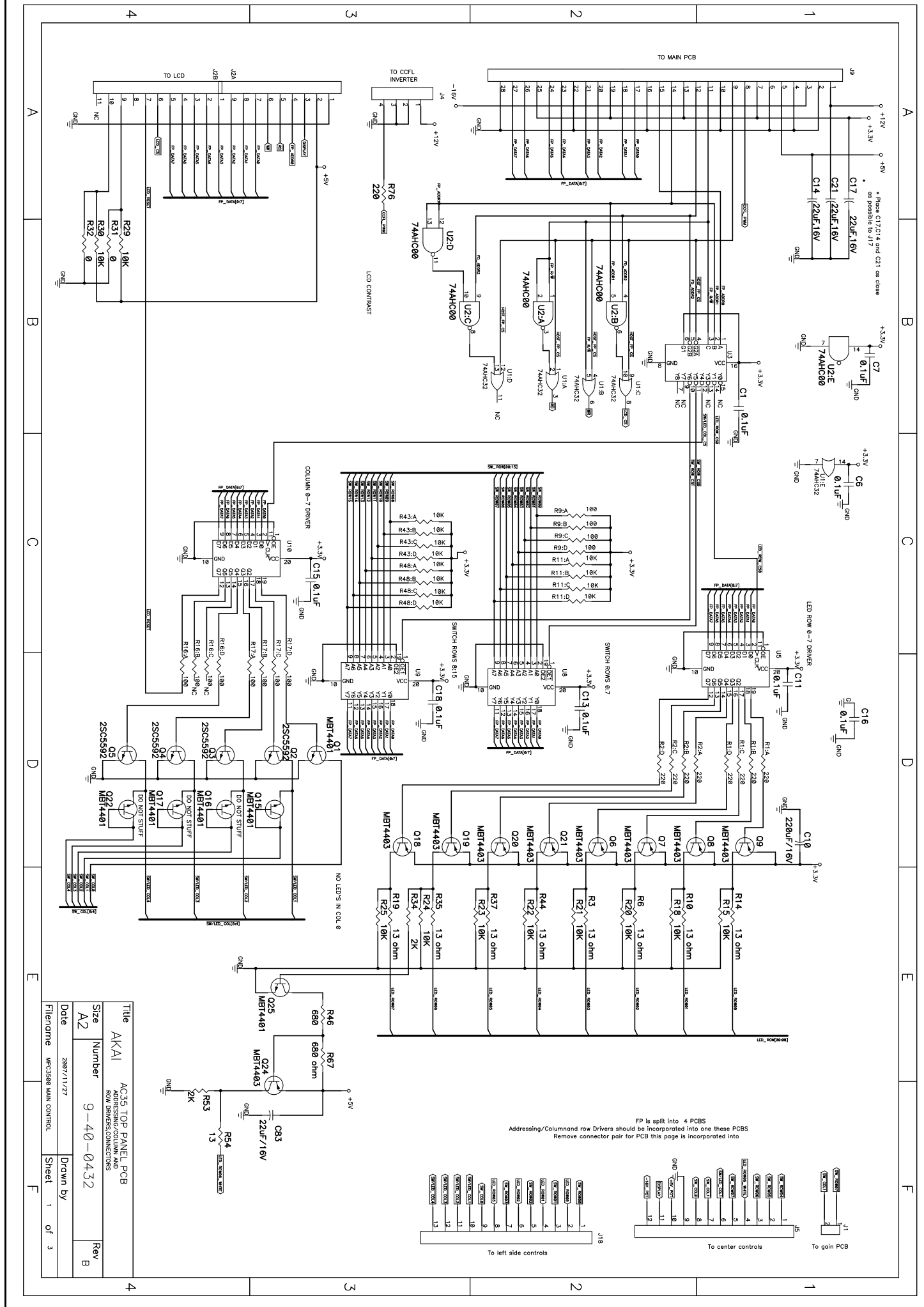


SDRAM 64MB



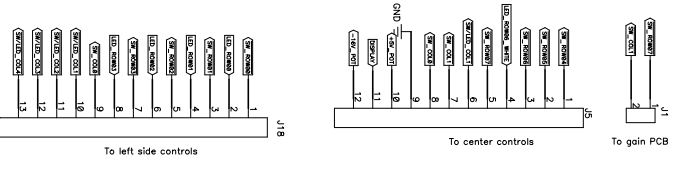
*** INSTALL OPTIONS**
U3, R28, R59-60: Install for development units only.
**** DO NOT STUFF R64 and R66 are for maintaining compatibility with the 6711 or the 6712D.**

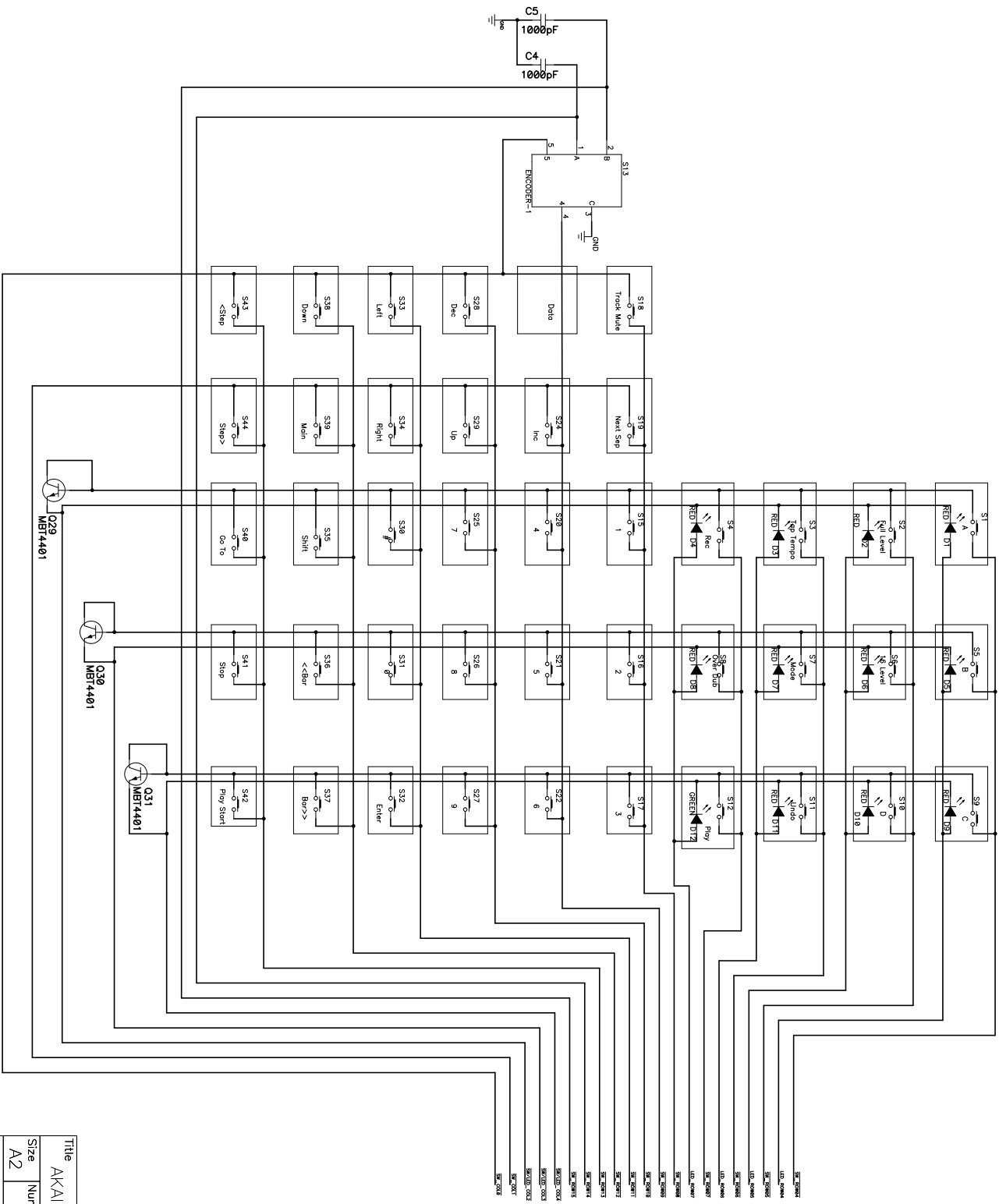
COMPANY:	ALEXIS		
TITLE:	AC35 EXPANSION PCB VOICE DSP		
PART NUMBER:	9-40-0417-2	ASSY NUMBER:	9-78-0417-2-0
DATE:	20 MAR 2007	FILENAME:	AC35EDA02A.SCH
SCALE:		SHEET:	3 of 4



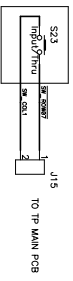
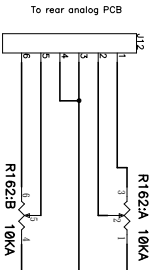
Title	AKA1	AC35 TOP PANEL PCB
Size	A2	ADDRESS/COLUMN AND ROW DRIVERS/SCREEN DRIVERS
Number	9-40-0432	
Date	2007/11/27	
Filename	MPC3500 MAIN CONTROL	
Drawn by		
Sheet	1	of 3

FP is split into 4 PCBs
Addressing/Column and row Drivers should be incorporated into one these PCBs
Remove connector pair for PCB this page is incorporated into

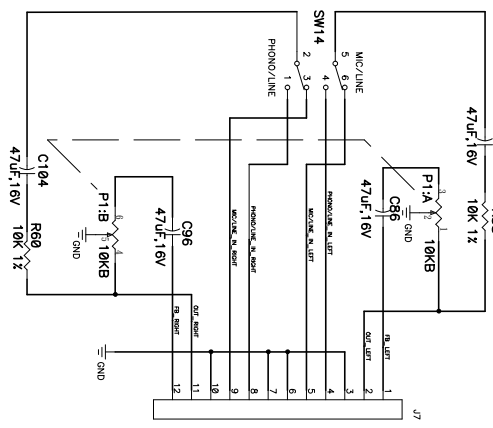




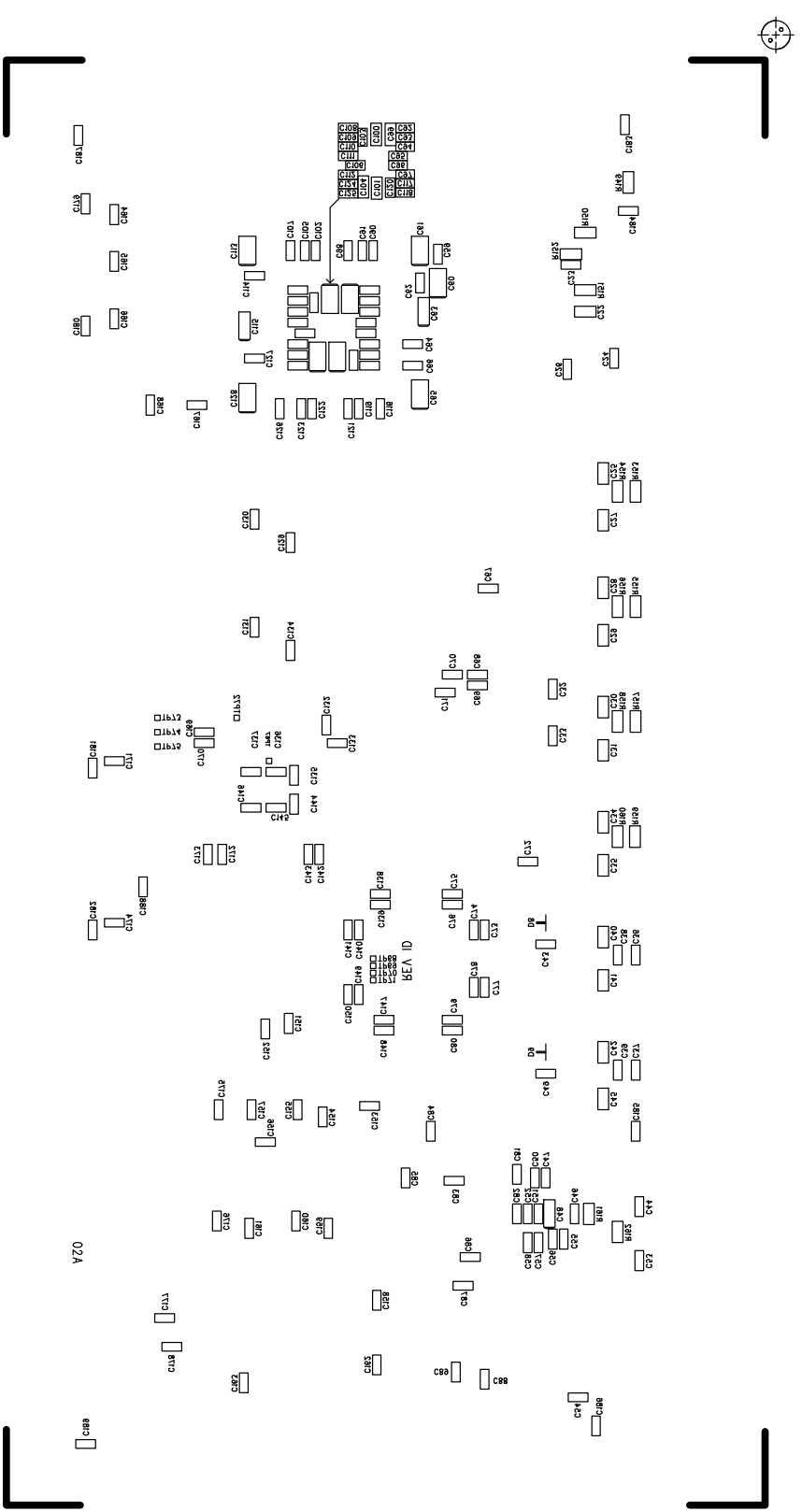
Title		AC35 TOP PANEL PCB	
AKAI		ADDRESSING/COLUMN AND ROW DRIVERS/CONNECTORS	
Size	Number	9-40-0432	Rev
A2			B
Date	2007/11/27	Drawn by	
File name	MPC3500 MAIN CONTROL	Sheet	2 of 3



*Take for main "SW" assembly and SW_CDC1 set as to isolate from audio signal

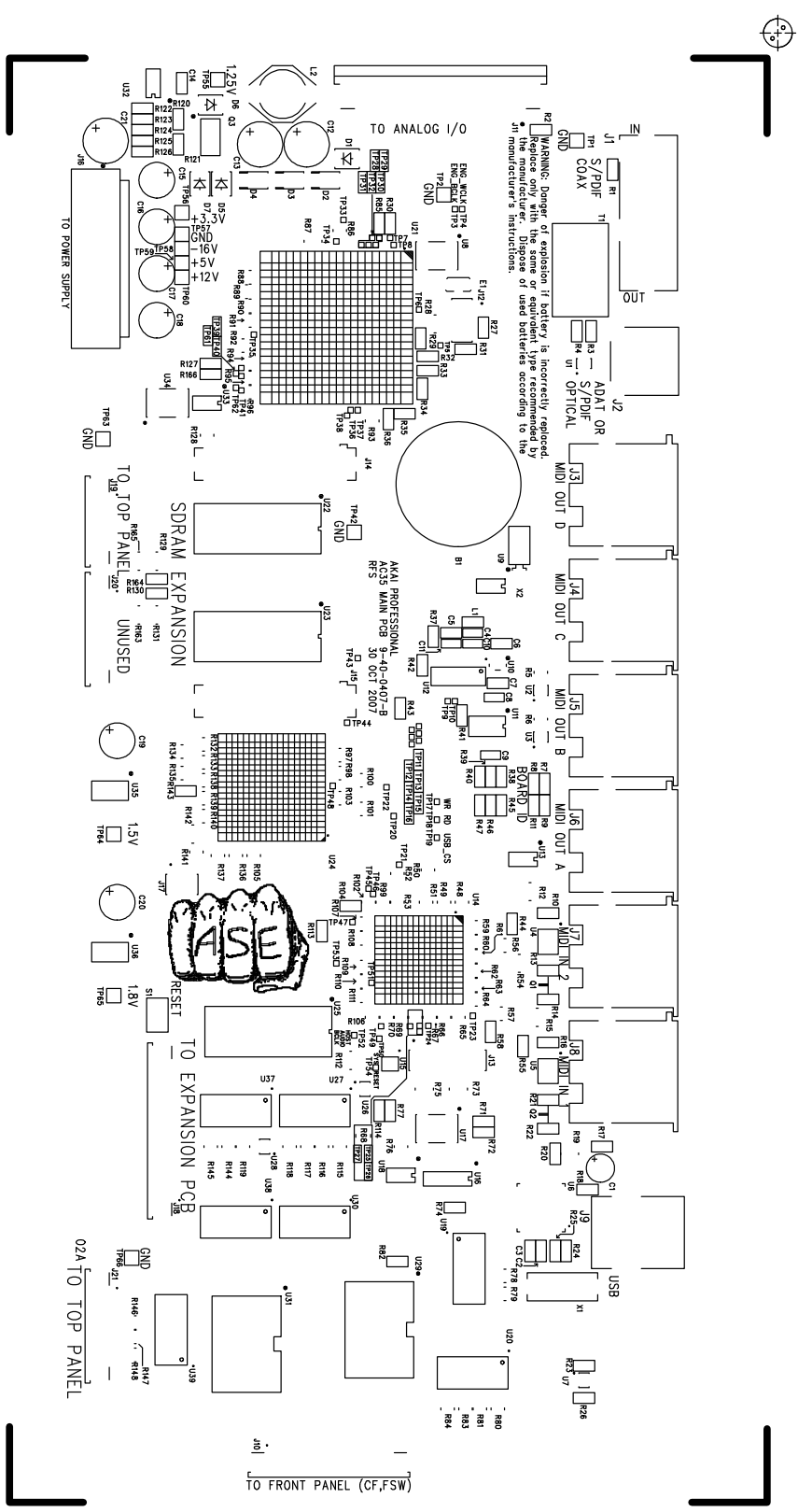


Title		AC35 TOP PANEL PCB	
AKA1		Analog gating knob/input select switch Input/thru switch (digi)	
Size	Number	Rev	
A2	9-40-0432	B	
Date	2007/11/27	Drawn by	
Filename		Sheet	3 of 3

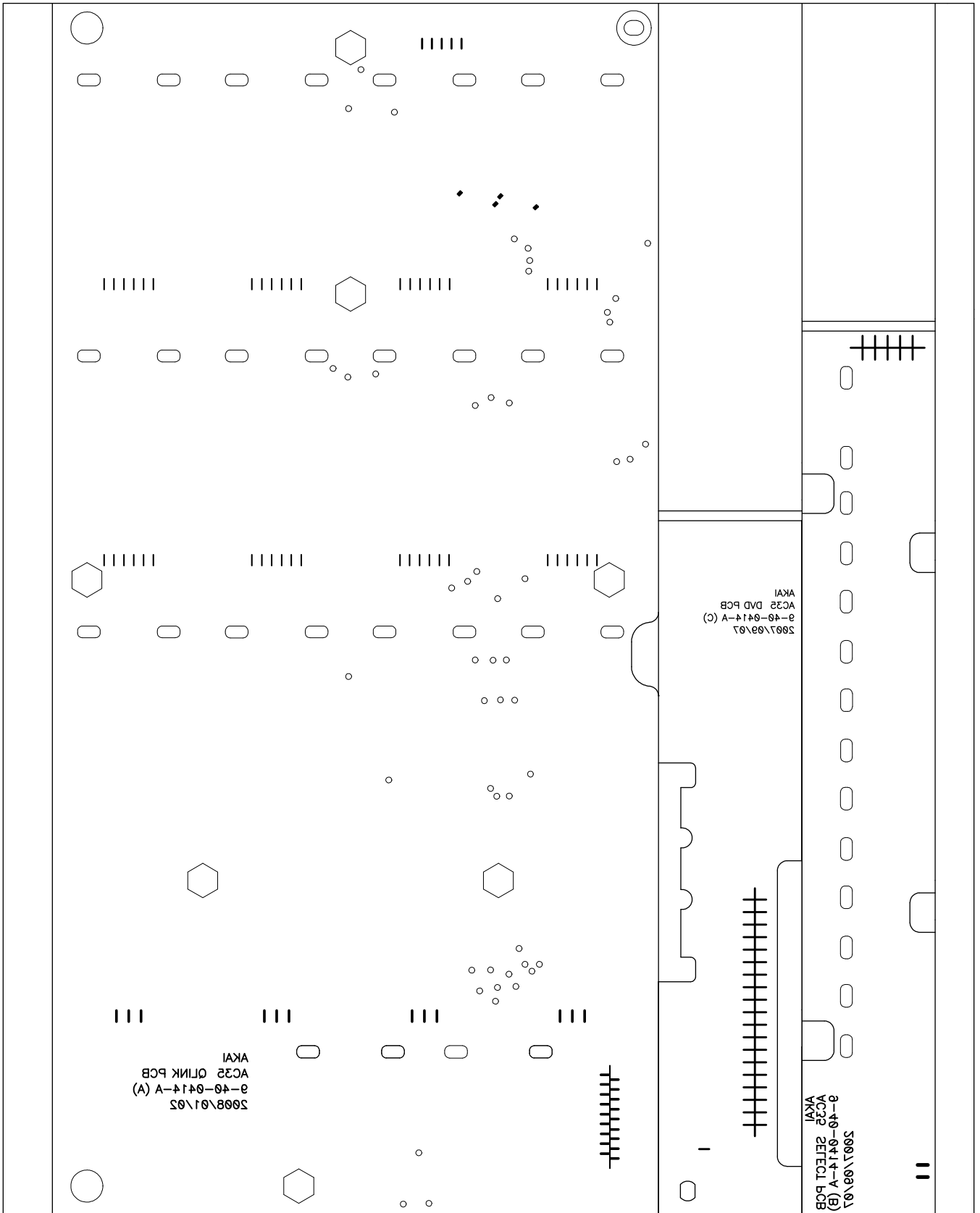


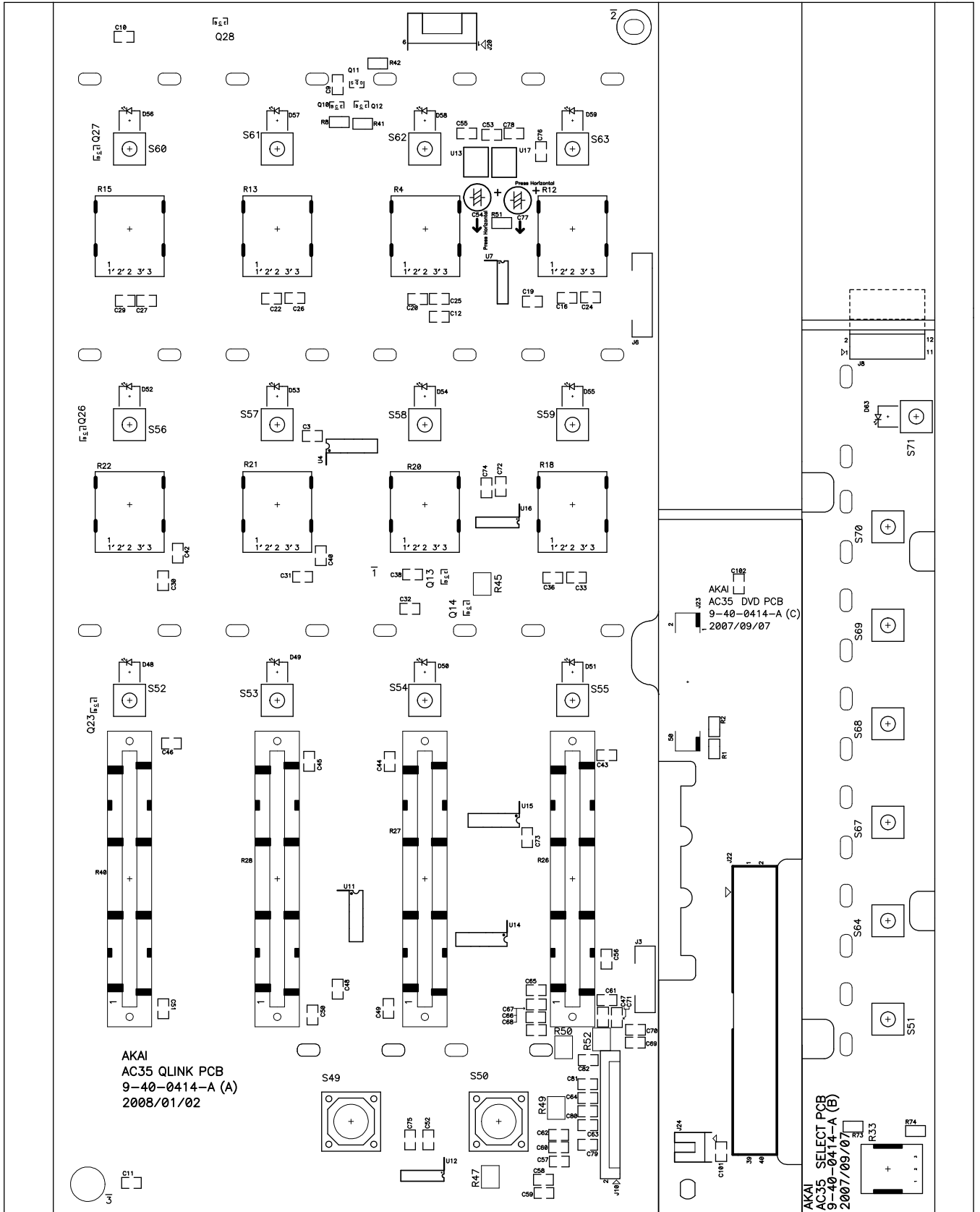
"B0121ГК" В-Т040-04-0 IAKA





CAM Products 2000(TM):



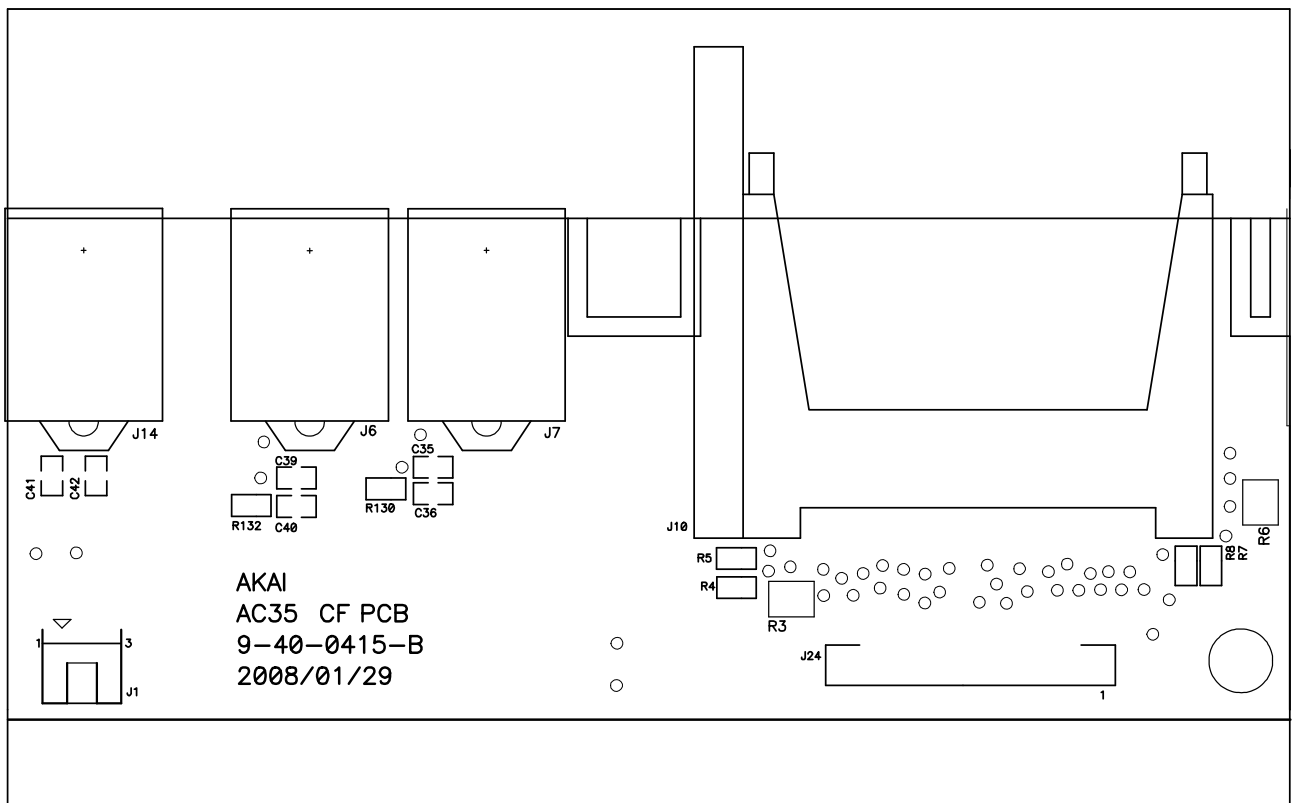


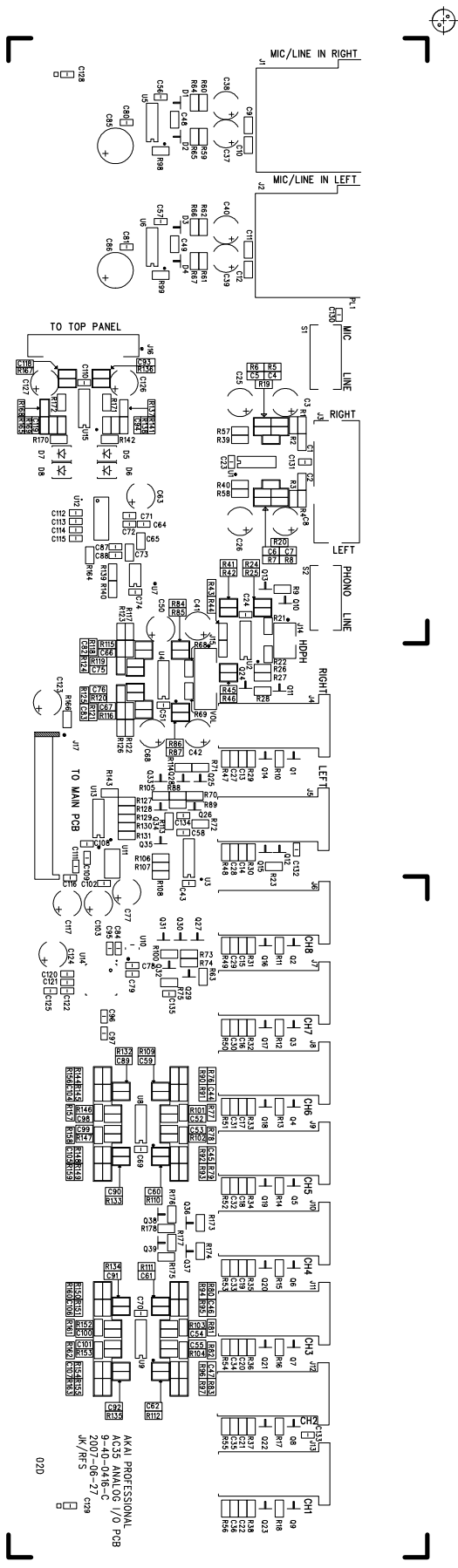
AKAI
AC35 QLINK PCB
9-40-0414-A (A)
2008/01/02

AKAI
AC35 DVD PCB
9-40-0414-A (C)
2007/09/07

AKAI
AC35 SELECT PCB
9-40-0414-A (B)
2007/09/07

CAM Products 2000(TM):

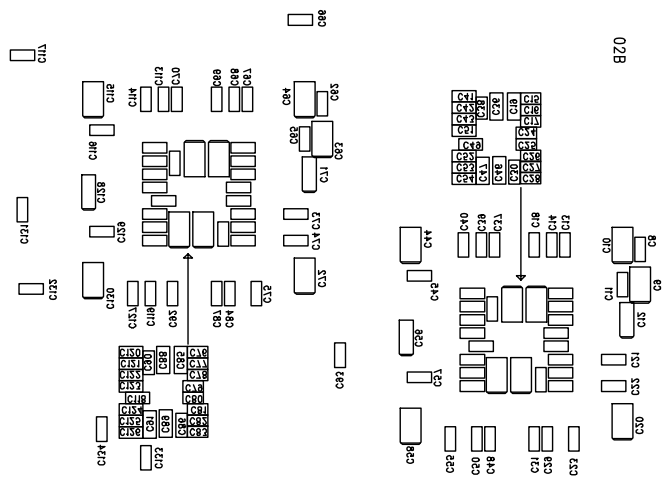




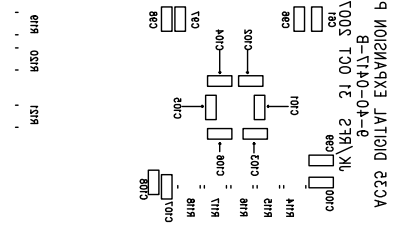
AKAI 9-40-0416-C "TOPSILK"

AKAI PROFESSIONAL
 ACC33 ANALOG I/O PCB
 2007-06-07
 JK/MFS 2/crs

02D



AKKI 8-40-0411-B "B012IK."



УС32 DIGITAL EXHIBITION BOX

ЖК ВЕ2 21.0С1.5000

8-40-0411-B

ЖК ВЕ2

УС32

ЖК ВЕ2

УС32

ЖК ВЕ2

УС32

ЖК ВЕ2

УС32

ЖК ВЕ2

УС32

ЖК ВЕ2

УС32

ЖК ВЕ2

УС32

ЖК ВЕ2

УС32

ЖК ВЕ2

УС32

ЖК ВЕ2

УС32

ЖК ВЕ2

УС32

ЖК ВЕ2

УС32

C122

C123

C122

C123

C122

C123

C122

C123

C122

C123

C122

C123

C122

C123

C122

C123

C122

C123

C122

C123

C122

C123

C122

C123

C122

C123

C122

C123

C122

C123

C122

C122

C123

C122

C123

C122

C123

C122

C123

C122

C123

C122

C123

C122

C123

C122

C123

C122

C123

C122

C123

C122

C123

C122

C123

C122

C123

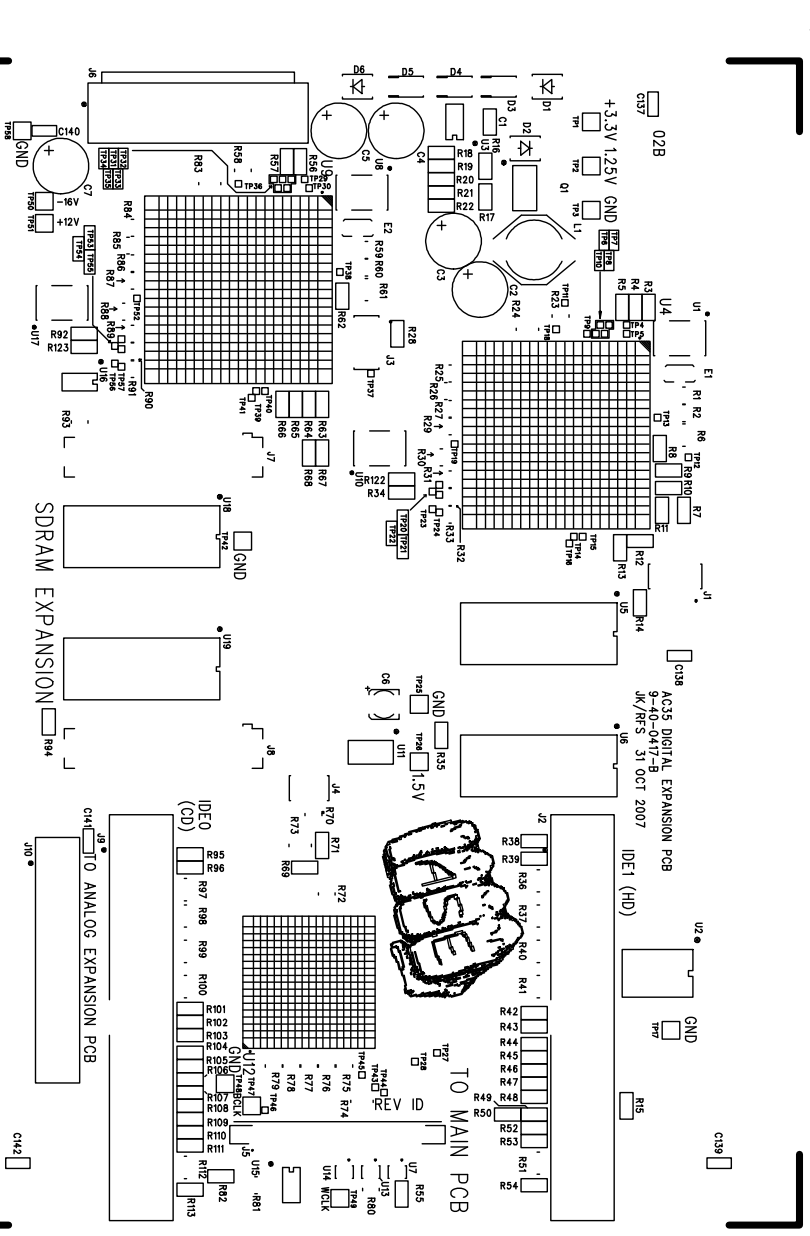
C122

C123

C122

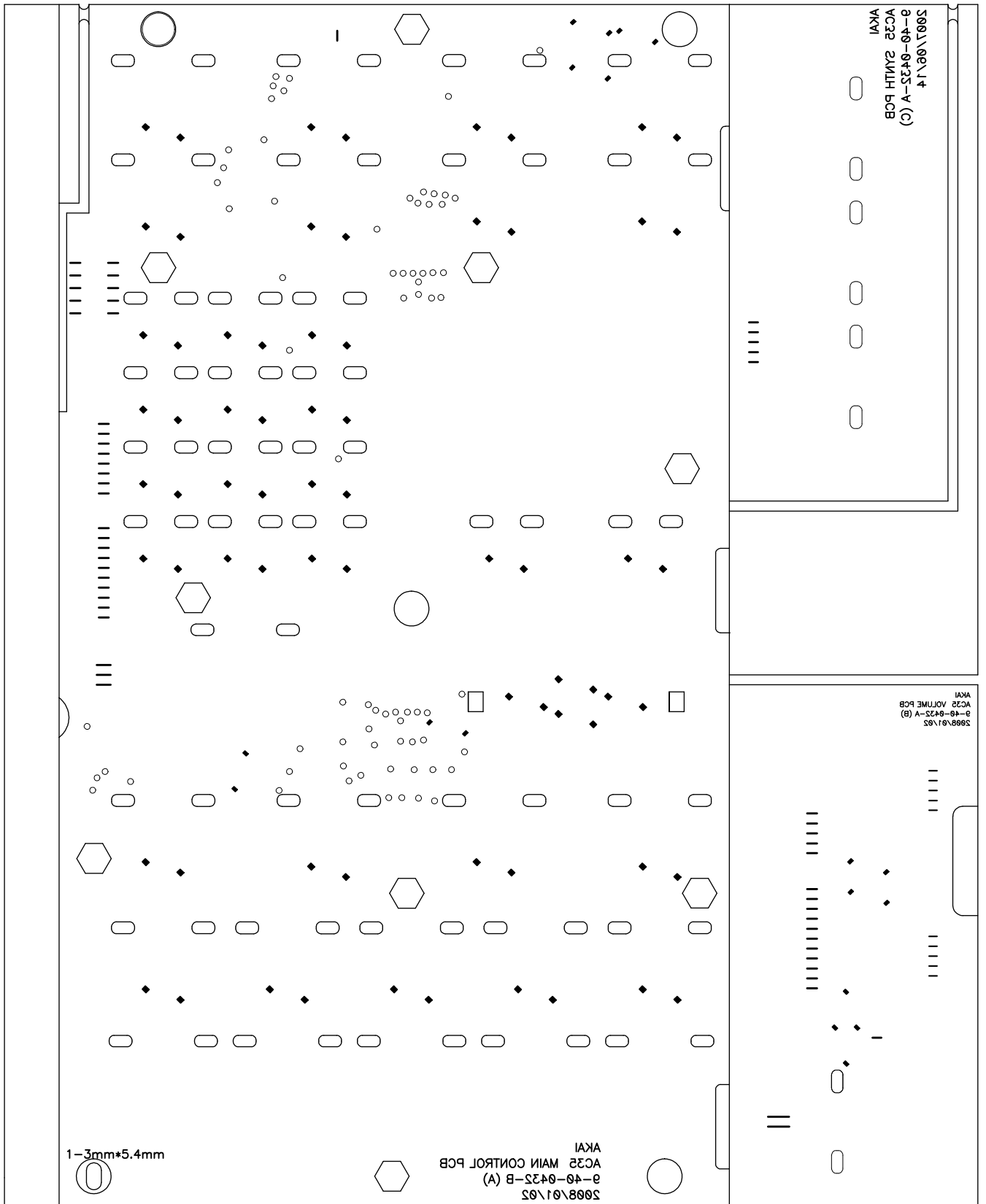
C123

C122



AKAI 9-40-0417-B "TOPSILK"

CAM Products 2000(TM):



CAM Products 2000(TM):

